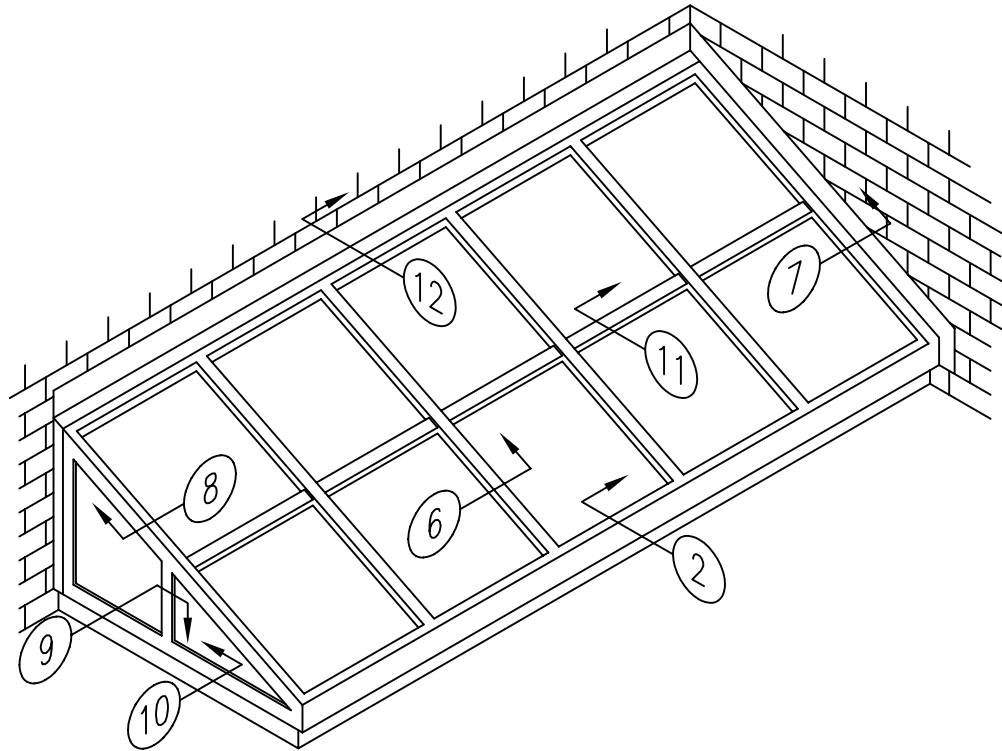
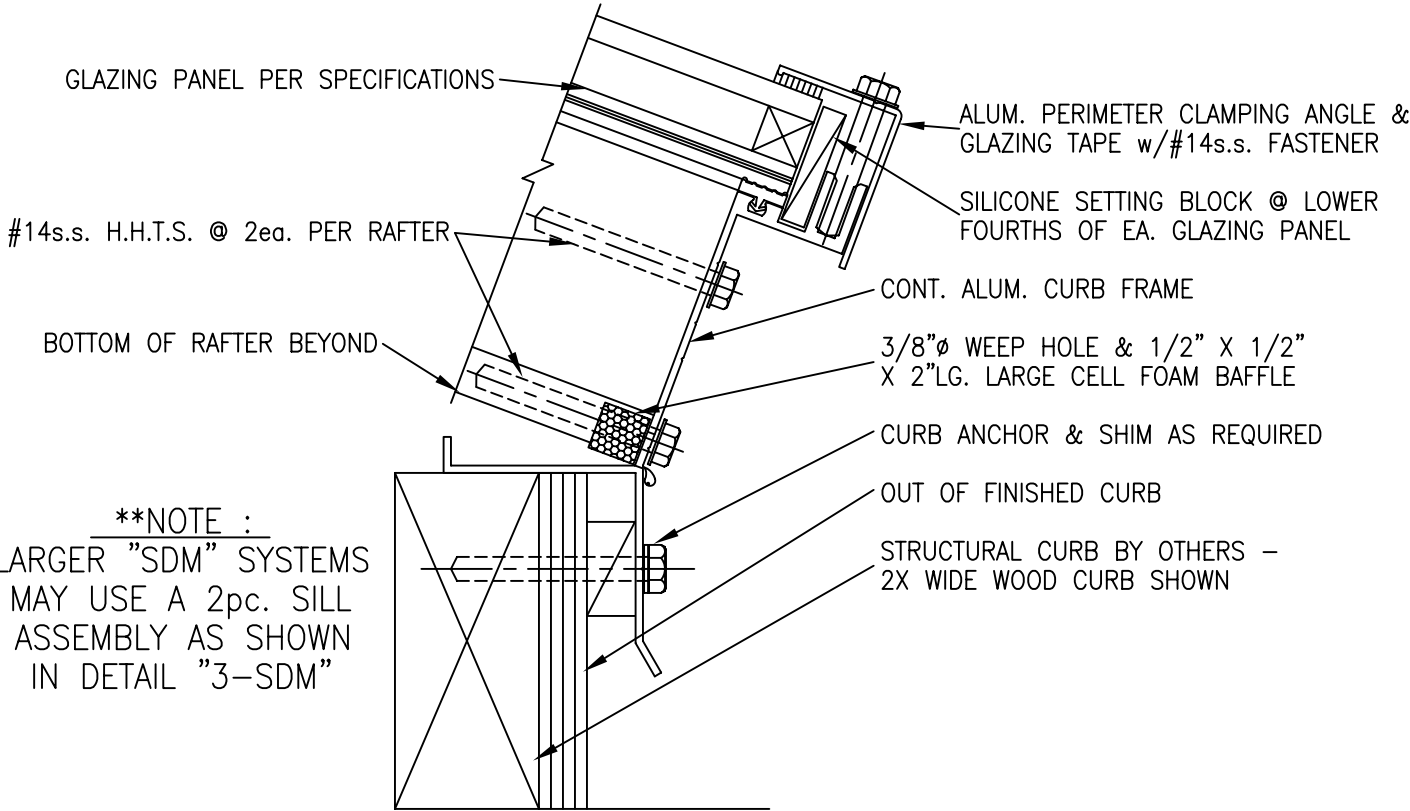


Lean-to

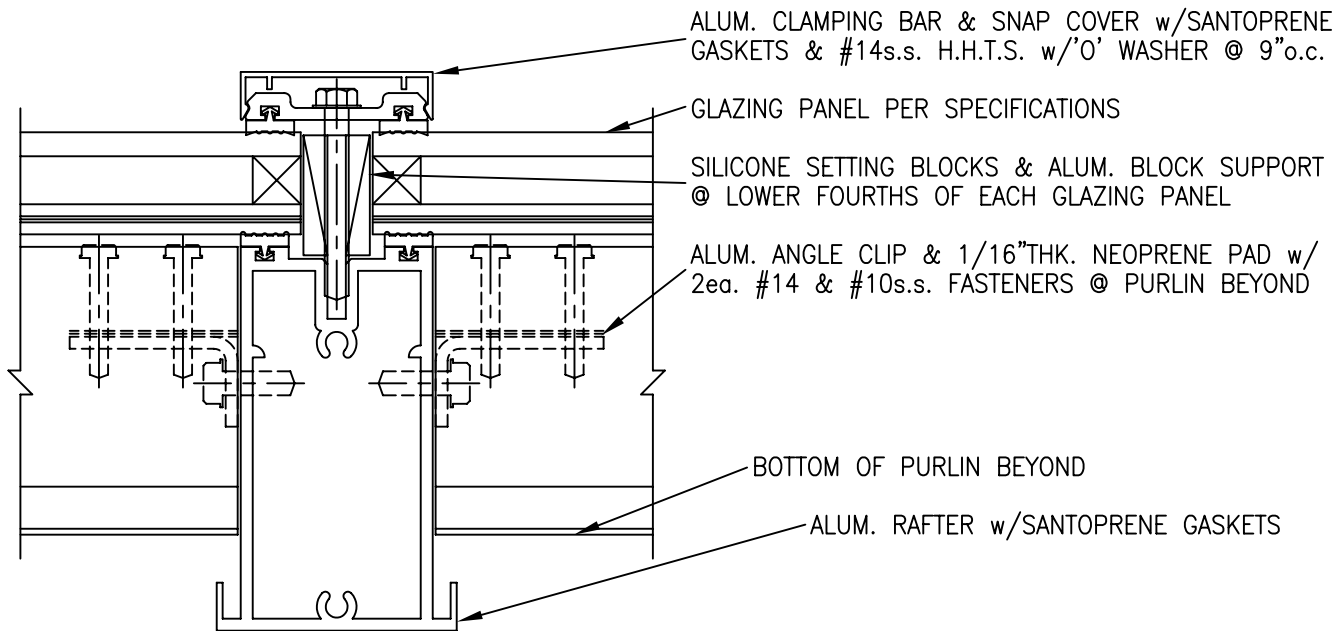


Sloped Curb / Sill Detail



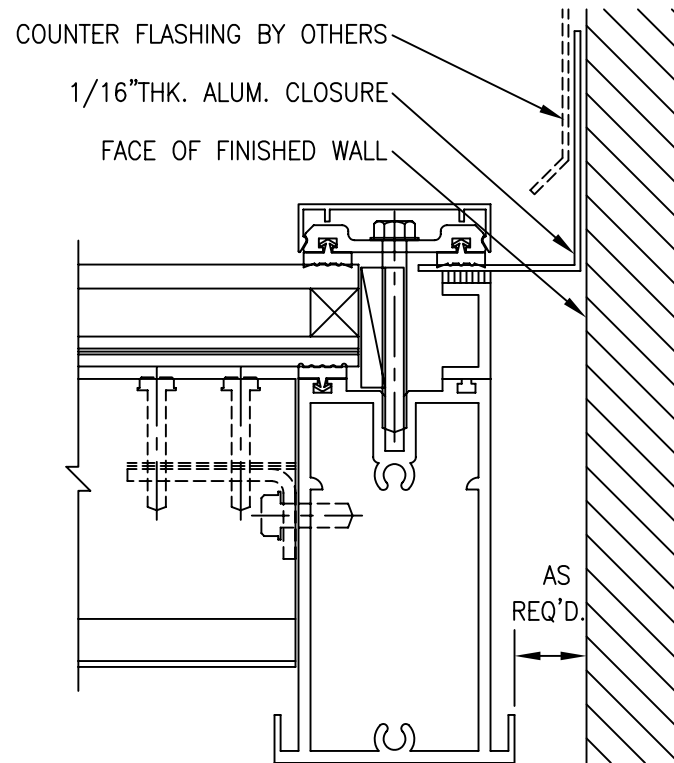
Detail No. 2

Rafter Detail



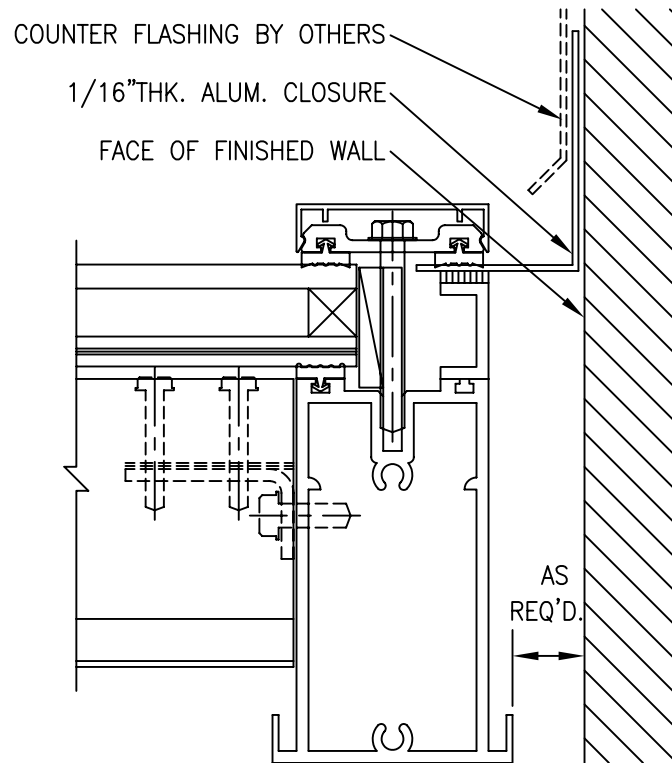
Detail No. 6

Rafter at Wall Detail



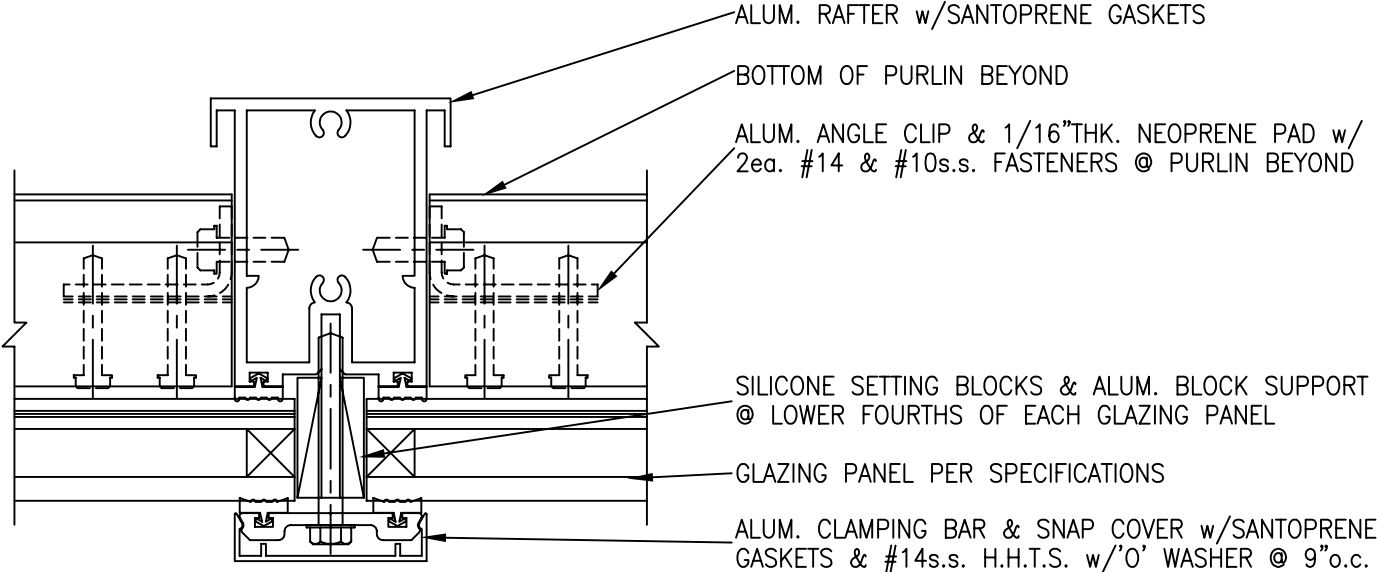
Detail No. 7

Rafter at Vertical Detail



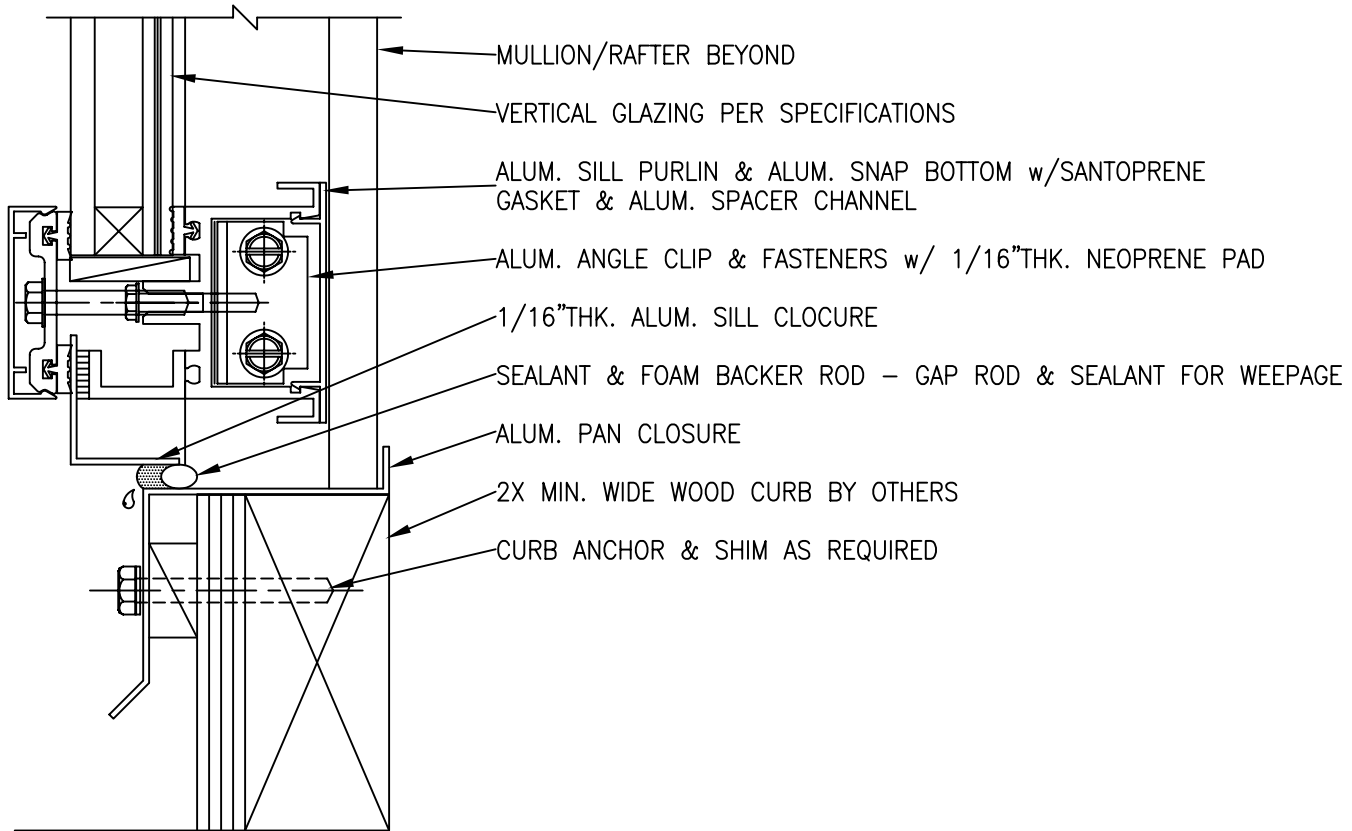
Detail No. 8

Mullion Detail



Detail No. 9

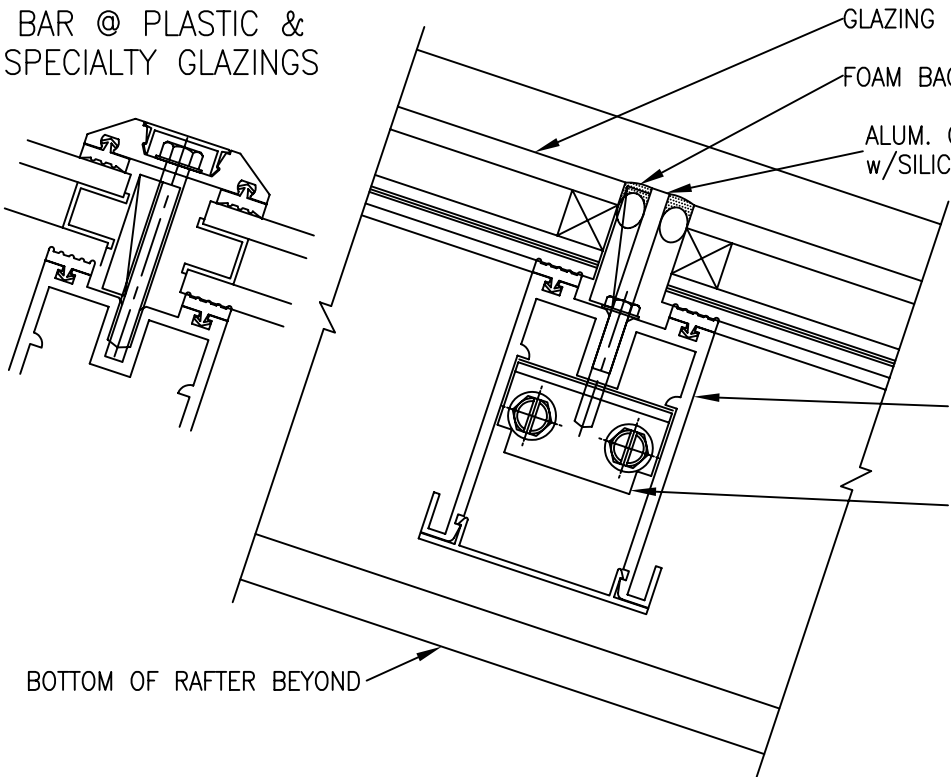
Sill at Vertical Detail



Detail No. 10

Purlin Detail

'RUN-OFF' CLAMPING
BAR @ PLASTIC &
SPECIALTY GLAZINGS



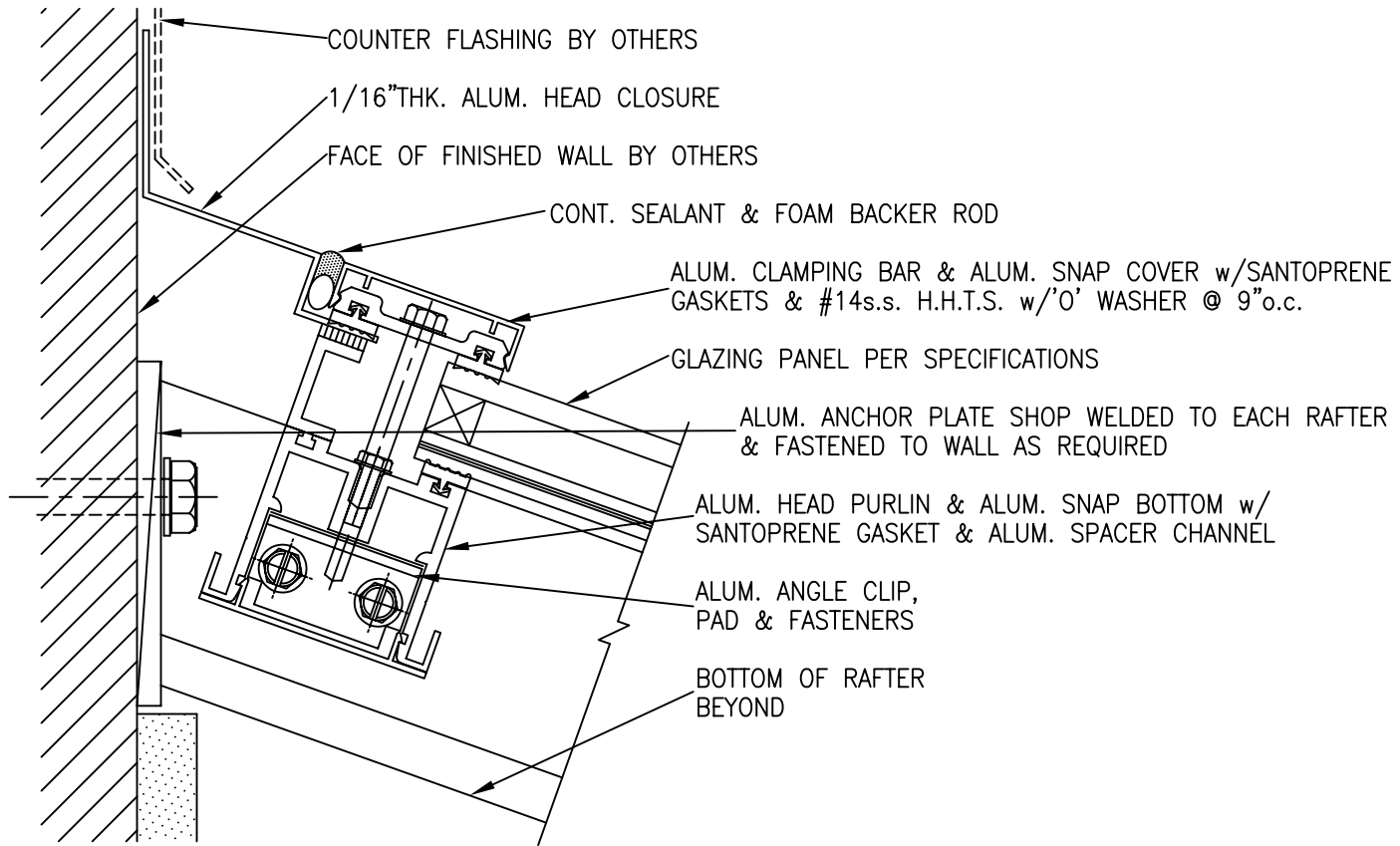
GLAZING PANEL PER SPECIFICATIONS
FOAM BACKER ROD & SILICONE SEALANT
ALUM. GLAZING STOP WELDED TO PURLIN
w/SILICONE SETTING BLOCK @ LOWER 4ths.

ALUM. PURLIN & ALUM. SNAP
BOTTOM w/SANTOPRENE GASKETS
ALUM. ANGLE CLIP & 1/16"THK.
NEOPRENE PAD w/2ea. #10 &
#14s.s. H.H.T.S.

BOTTOM OF RAFTER BEYOND

Detail No. 11

Purlin Head Detail



Detail No. 12