

# Bristolite® Daylighting Systems

harnessing sunlight for energy savings

## SkyQuick

SkyQuick metal framed skylights by Bristolite Daylighting Systems are high performance “custom units” with quick pricing, quick lead times and quick installation. Unlike most custom skylights that are site built, SkyQuick ships pre-assembled up to 8ft wide & pre-glazed (up to 6ft wide) for easy installation. Glazing options include Low-E glass as well as cutting edge technology like silica aerogel infill and prismatic/multiwall materials that reduce solar heat gain & improve U factors.

Bristolite Daylighting Systems is the **innovation leader** in daylighting. Our Green Building Technology products incorporate state of the art technology into our daylighting solutions. And now with manufacturing locations in California, Texas and Georgia we are able to deliver even faster than ever with reduced transportation costs. SkyQuick is available in both standard and custom sizes at standard pricing. Finish options include mill, anodized, standard and custom fluoropolymer. It is available as Pyramids, Ridges, Hipped Ridges & Octagons.

### SkyQuick by Bristolite Daylighting Systems features:

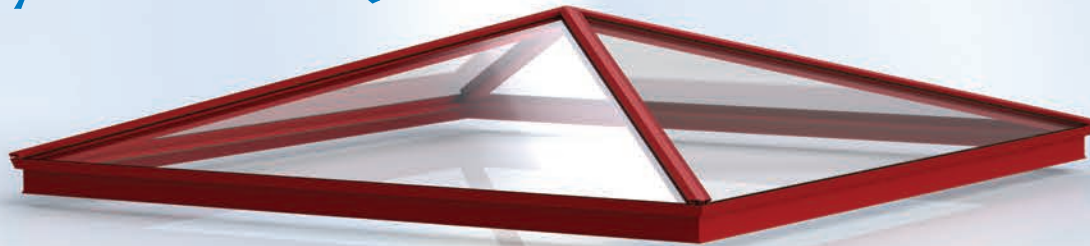
- AAMA Compliant Thermal Break Frame
- Engineered Polymer Glazing Clip
- One Piece Concealed Fastener Glazing Cap
- Green Building Technology Glazing
- Custom Sizes, Shapes & Finishes
- High Performance Air & Water Resistance
- Pre-Glazed & Pre-Assembled
- Optional Hoisting Clips Available

[www.bristolite.com](http://www.bristolite.com)

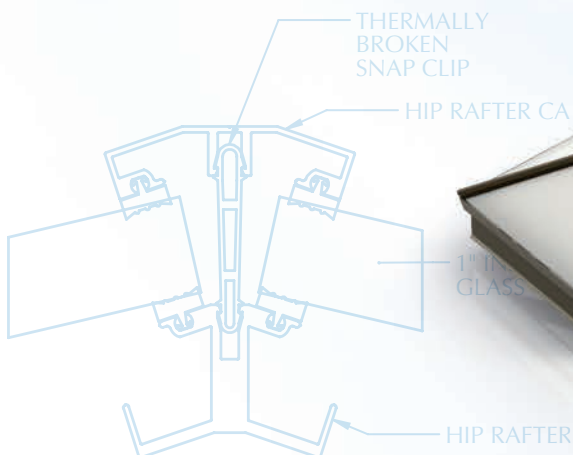


# SkyQuick

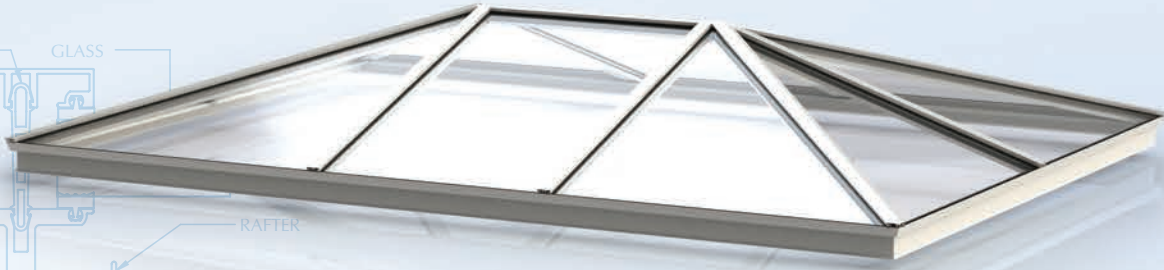
## Pyramid (SQP)



## Octagon (SQO)



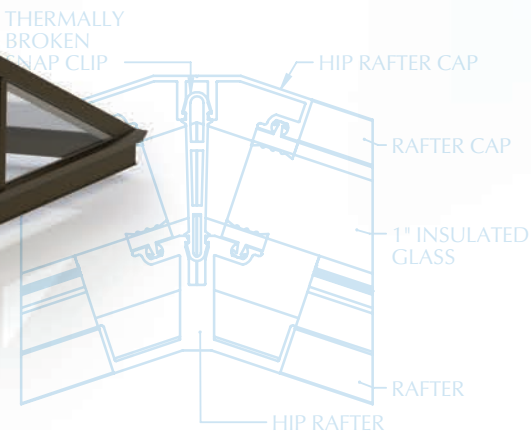
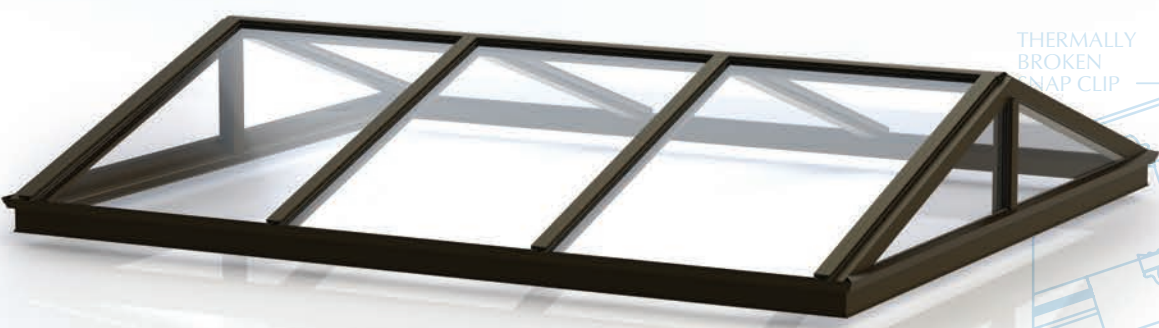
# Ridge Hipped Ends (SQRH)



## GLAZING OPTIONS

- **IG** Clear/Tinted Insulating Glass
- **IG *LOW-E*** Clear/Tinted Insulating Glass *LOW-E*
- ***Insulair* (Opal)** 10X Multiwall
- ***Insulair* (Clear)** 10X Multiwall
- ***Quasar Insulair*** Prismatic/10X Multiwall
- ***Nano Insulgel*** Silica Aerogel Multiwall
- ***Coollite*** Spectrally Selective IR/UV Blocking

# Ridge Vertical Ends (SQRV)



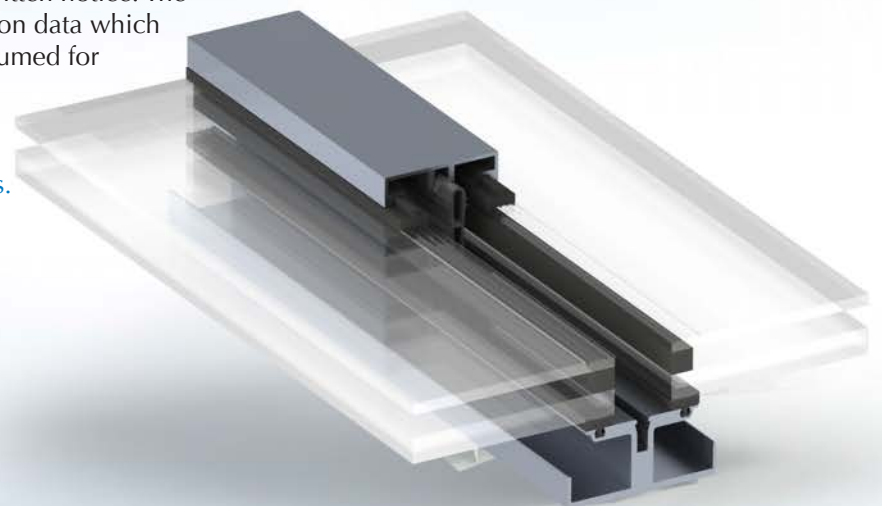


## GLAZING Performance Matrix

	Clear Insulating Glass	Clear Insulating Glass LOW-E	Insulair (Opal)	Insulair (Clear)	Quasar Insulair	Nano InsulGel	COOLITE
<b>VLT</b> Visible Light Transmission	79	69	28	45	41	48	54
<b>SHGC</b> Solar Heat Gain Coefficient	0.70	0.37	0.46	0.64	0.58	0.42	0.26
<b>U Factor</b>	0.50	0.30	0.29	0.29	0.26	0.17	0.45

Bristolite Daylighting Systems reserves the right to modify the design, change or discontinue products without prior written notice. The information contained in this brochure is based on data which are believed to be reliable, but no liability is assumed for any method or manner of use by the purchaser.

For more information about our limited warranty, contact Bristolite Daylighting Systems.



For additional technical information and/or daylighting systems design consultation, contact Bristolite for your specific needs.

100 Metro Drive, Terrell, TX 75160  
 855.266.1331 • Fax 972.210.4091  
[sales@bristolite.com](mailto:sales@bristolite.com) • [www.bristolite.com](http://www.bristolite.com)