

QUASAR PRISMATIC TRIARCH ALUMINUM CURB MOUNTED SMOKE HATCH w/EXTERIOR MANUAL RELEASE

100% IMPACT-MODIFIED
PRISMATIC ACRYLIC DOME

LATCH/RELEASE
MECHANISM

ALUMINUM
PERIMETER CAP

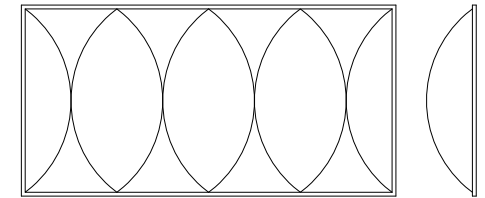
GASKET

TENSION SPRING

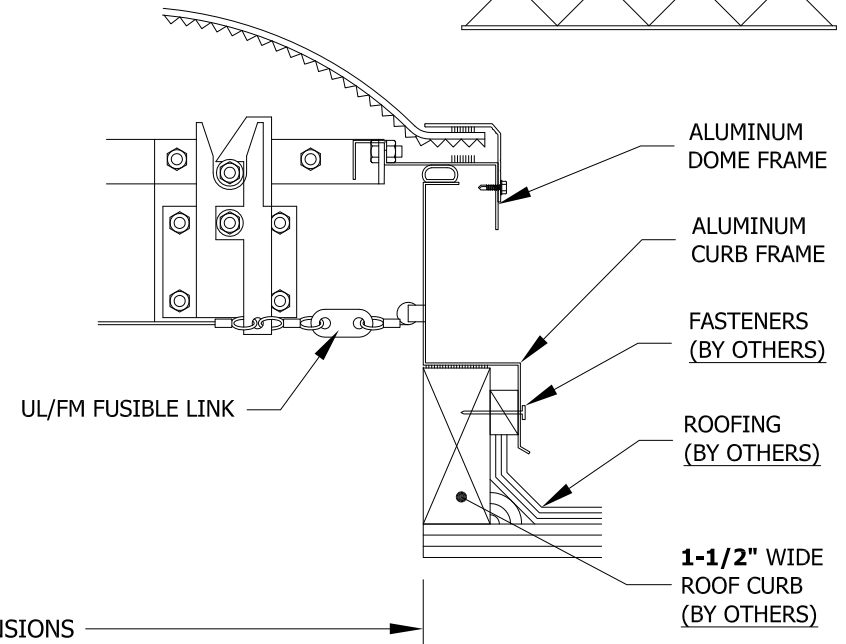
EXTERIOR MANUAL
RELEASE

SEALANT AS REQ'D
(BY OTHERS)

SHIM AS REQ'D.
(BY OTHERS)



PRISMATIC OUTER DOME



ALUMINUM
DOME FRAME

ALUMINUM
CURB FRAME

FASTENERS
(BY OTHERS)

ROOFING
(BY OTHERS)

1-1/2" WIDE
ROOF CURB
(BY OTHERS)

UL/FM FUSIBLE LINK

INSIDE CURB DIMENSIONS

*** FUSIBLE LINK TEMPERATURE
PLEASE SELECT ONE:**

165° ○ 212° ○ 286° ○ 360° ○ 520° ○

MODEL: XXXX-ASHD-CM-1-PRISM-M1-MF
(NOT TO SCALE)

ASHD - ALUMINUM SMOKE HATCH
CM - CURB MOUNTED
1 - SINGLE DOME
PRISM - PRISMATIC ACRYLIC

M1 - EXTERIOR MANUAL RELEASE
MF - MILL FINISH

MODEL NUMBER	INSIDE CURB DIMENSIONS	QTY	PRISMATIC COLOR
4848-ASHD-CM	48"x48"		<input type="radio"/> CLEAR
4896-ASHD-CM	48"x96"		<input type="radio"/> WHITE
6072-ASHD-CM	60"x72"		

Bristolite® Daylighting Systems

401 East Goetz Avenue, Santa Ana, CA. 92707
TEL 714.540.8950 / FAX 714.540.5415

CUSTOMER :	PREPARED BY :	JOB NO :
PROJECT :	SUBMITTAL DATE :	ARCHITECT :