

Bristol

Explosion Relief

Skylight

Model AERS

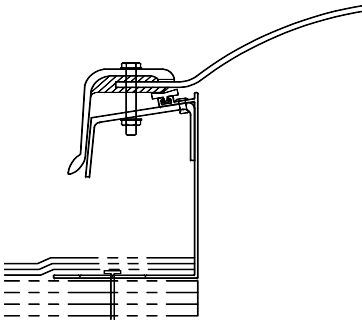
Frame Material
Fiberglass / Aluminum



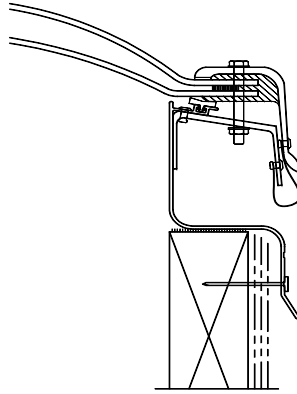
Industrial Skylight and
(Optional) Security Grill

Acrylic Dome

Details (Scale: 3":1'-0")



AERS-SF-1



AERS-CM-2

Specifications

Explosion Relief Skylights shall be model No. _____ as manufactured by Bristolite Daylighting Systems, Santa Ana, CA. Skylights shall be fully factory assembled consisting of acrylic glazing with a CC-2 classification that shall be fused to its own counter flashing fiberglass skirt through the Thermoweld process. This attachment is made with specially designed breakaway bolts designed to release the dome when pressure on the dome surpasses 20lbs/ft². The curb mounted base is fabricated of 6063-T5 aluminum and shall be installed either on a 1-1/2" wide curb by others or on its own 4", 9" or 12" self flashing curb fabricated from aluminum with a 2-3/4" roof flange. All explosion relief units come with a safety chain attached to the frame to prevent the dome from being blown away when released.

Sizes:

Model Number	Inside Curb Dimension	Model Number	Inside Curb Dimension	Model Number	Inside Curb Dimension	Model Number	Inside Curb Dimension
4848-AERS	48" x 48"			4896-AERS	48" x 96"		
Other sizes available upon request				Other sizes available upon request			

Solar Heat Gain Coefficient = .31, U Factor = .71, Visible Light Transmission = 53% (Typical for CM double glazed units)

Features:

1. Curb Mounted (**CM**) or Self Flashing (**SF**)
2. Four Acrylic Color Choices: Medium White (**WTM**) Bronze (**BT**), Grey (**GT**) or Clear (**CC**)
3. Standard Bronze Color Fiberglass Frame Finish
Add highlighted suffixes to model number where applicable:
i.e. **4848-AERS-CM-1-WTM-CA**

Options:

1. Base Frame Finish: Bronze Anodize (**BA**), Clear Anodize (**CA**), White Painted (**WP**) or Mill Finish (**MF**)
2. Fiberglass Frame Finish: White Gel (**WGEL**)
3. Self Flashing Bases of 9" or 12" (**9** or **12**)

Accessories: (cont.)

2. Quickkit (Installation Kits)
 - a. Stainless Steel (**QKSS**)
 - b. Zinc Plated (**QKZP**)

Accessories: See PDS (Product Data Sheets) for these Items

1. Gladiator
 - a. Structural Curb (**SC**)
 - b. Security Grills (**SG**)
 - c. Safety Screens (**SSCRN**)
 - d. External Safety Cages (**SCAGE**)