

Gladiator Roof Access Hatch

Industrial Access Hatch and
(Optional) Safety Grab Bar

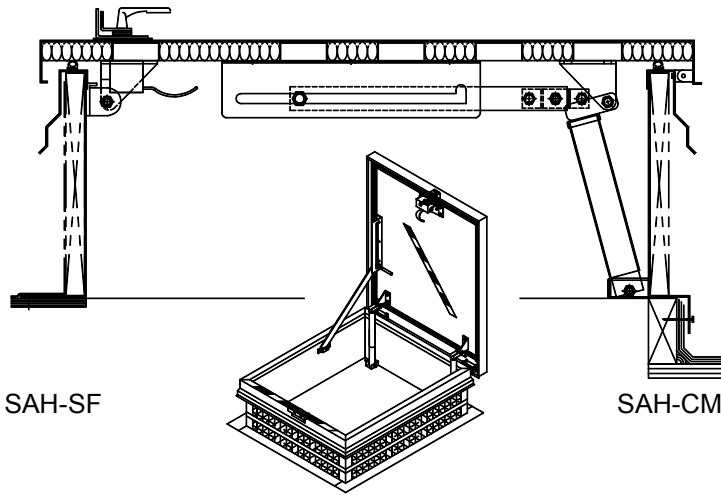


Model SAH

Frame Material
Steel

Steel Hatch

Details (Scale: 1":1'-0")



Specifications

Gladiator Roof Access Hatch shall be model No. ___ as manufactured by Bristolite Daylighting Systems, Santa Ana, CA. A yellow and black striped visual warning signal shall be on top front of curb and on inside of lid. Curb and cover shall be 14 gauge galvanized steel. The curb is with 1" wood nailer and shall be 12" in height with a 3-1/2" flange and mounting holes for roof attachment; integral cap flashing of the same material and thickness as the curb. Curb and cap flashing and cover shall be fully welded at the corners for a watertight construction. Hinges are two pieces of formed steel, with a non-removable heavy duty pivot pin. The cover corners shall have a radius for safety. The cover liner shall be insulated with 1" thick fiberglass insulation and reinforced as required to support a 40lbs/ft² live load. The seal of the hatch lid shall be provided by an EPDM gasket material that is mechanically bonded to the lid. Hardware includes an interior handle with a positive, one point locking mechanism; exterior handle, and provisions for a padlock, both inside and out; pre-lubricated compression springs, encased in zinc plated telescopic tubes, for smooth and controlled operation at an position; an automatic, hold open arm with a vinyl grip. All hardware shall be corrosion resistant, and all fasteners shall be of a self locking type.

Sizes:

Model Number	Inside Curb Dimension	Model Number	Inside Curb Dimension	Model Number	Inside Curb Dimension	Model Number	Inside Curb Dimension
3636-SAH	36" x 36"			3036-SAH	30" x 36"		
Other sizes available upon request				Other sizes available upon request			

Features:

1. Curb Mounted (**CM**) or Self Flashing (**SF**)
2. Two Color Choices: Grey (**GP**) or Safety Red (**SR**)
Add highlighted suffixes to model number where applicable:
i.e. **3036-SAH-CM-SR**

Options:

1. 17" Tall Safety Grab Bar (**SGB**)

Accessories: See PDS (Product Data Sheets) for these Items

1. Gladiator
 - a. Structural Curb (**SC**)
2. Quickkit (Installation Kits)
 - a. Stainless Steel (**QKSS**)
 - b. Zinc Plated (**QKZP**)