

Energy Star Smoke Hatch

Industrial Louvered Smoke Hatch
and (**Optional**) Security Grill



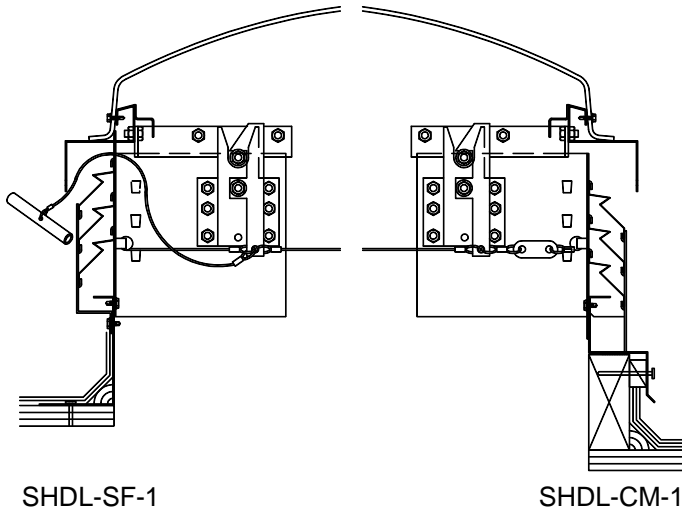
Fiberglass Dome

Model SHDL

Frame Material
Aluminum

Bristolite fiberglass glazing has been load tested and complies with OSHA – CFR's for fall protection.

Details (Scale: 2":1'-4")



Specifications

Energy Star Smoke Hatch shall be model No. _____ as manufactured by Bristolite Daylighting Systems, Santa Ana, CA. The fiberglass dome shall be a molded one piece unit with integral counter flashing skirt to eliminate any dependence on gaskets, sealants or flow through designs. The Fiberglass shall consist of neopentyl glycol isophthalic gelcoat laminate with an acrylic modified polyester based resin and silane glass fiber. The dome is attached to an openable frame, which in turn is attached to the base frame with a hinge. This frame is compression loaded by torsion springs and secured on the opposite side with latches operated either manually, or by UL/FM listed fusible links and comes attached to a louvered frame. The louvers will be fixed storm resistant louver blades of galvanized steel and shall be continuous. The louvered frame is attached to a base frame fabricated of 6063-T5 heliarc welded aluminum and shall be installed either on a 1-1/2" wide curb furnished by others or on its own 4", 9", or 12" high self flashing curb fabricated from aluminum with a 2-3/4" roof flange. Materials are to be self extinguishing Approved Plastic CC-1 Rated.

Materials tested in conformance with FM 4431 including 2" severe hail test.

Sizes:

Model Number	Inside Curb Dimension	Approx. Amount of Free Air Space in Sq. Ft.	Model Number	Inside Curb Dimension	Approx. Amount of Free Air Space in Sq. Ft.
4848-SHDL	48" x 48"	6.0	4896-SHDL	48" x 96"	9.0
			6072-SHDL	60" x 72"	8.0

Solar Heat Gain Coefficient = .46, U Factor = .63, Visible Light Transmission = 63% (Typical for ESA double glazed units)

Features:

1. Curb Mounted (**CM**) or Self Flashing (**SF**)
2. Energy Star Glazing (**ESA**)
3. Exterior and/or Interior Manual Releases (**M1**, **M2** or **M3**)
4. Fusible Link Temperatures: 165°, 212°, 286°, 360° or 520°
5. High Wind Resistant – Can withstand high wind conditions
Add highlighted suffixes to model number where applicable:
i.e. **4896-SHDL-CM-1-ESA-M2-IS**

Options:

1. Self Flashing Bases of 9" or 12" (**9** or **12**)
2. Insulated Frame (**INS**)
3. Double Wall Frame (**DW**)
4. Insect Screens (**IS**) or Bird Screens (**BS**)

Options: (cont.)

5. Rain Guard (**RG**) and/or Dust Filters (**DF**)

Accessories: See PDS (Product Data Sheets) for these Items

1. Gladiator
 - a. Structural Curb (**SC**)
 - b. Security Grills (**SG**)
 - c. Safety Screens (**SSCRN**)
2. Quickkit (Installation Kits)
 - a. Stainless Steel (**QKSS**)
 - b. Zinc Plated (**QKZP**)