

# Trituff Smoke Hatch

Industrial Louvered Smoke Hatch  
and (**Optional**) Security Grill



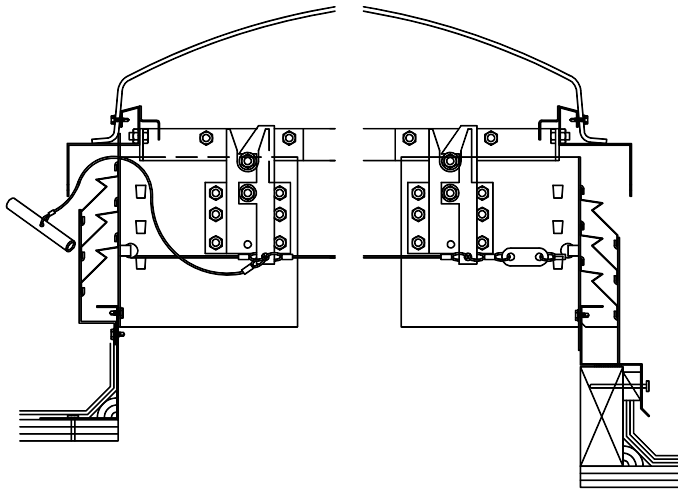
Copolyester Triarch

## Model SVL

**Frame Material**  
Aluminum

Bristolite copolyester glazing has been load tested and complies with OSHA – CFR's for fall protection.

Details (Scale: 2":1'-0")



SVL-SF-1

SVL-CM-1

Specifications

Trituff Smoke Hatch shall be model No. \_\_\_\_\_ as manufactured by Bristolite Daylighting Systems, Santa Ana, CA. Smoke Hatches shall be glazed with a plastic dome using Trituff UL972 listed material. The dome is attached to an openable frame, which in turn is attached to the base frame with a hinge. This frame is compression loaded by torsion springs and secured on the opposite side with latches operated either manually, or by UL/FM listed fusible links. The openable frame comes attached to a louvered frame. The louvers will be fixed storm resistant louver blades of galvanized steel and shall be continuous. All frames to be fully welded for water tight integrity. The frame is to have an integral condensation channel to carry moisture to the exterior. The dome retaining fasteners are to be corrosion resistant. The base frame is fabricated of 6063-T5 heliarc welded aluminum and shall be installed either on a 1-1/2" wide curb furnished by others or on its own 4", 9", or 12" high self flashing curb fabricated from aluminum with a 2-3/4" roof flange. Materials are to be self extinguishing Approved Plastic CC-1 Rated.

**Sizes:**

Model Number	Inside Curb Dimension	Approx. Amount of Free Air Space in Sq. Ft.	Model Number	Inside Curb Dimension	Approx. Amount of Free Air Space in Sq. Ft.
4848-SVL	48" x 48"	6.0	4896-SVL	48" x 96"	9.0
			6072-SVL	60" x 72"	8.0

Solar Heat Gain Coefficient = .50, U Factor = .65, Visible Light Transmission = 60% (Typical for HS1 double glazed units)

**Features:**

1. Curb Mounted (CM) or Self Flashing (SF)
2. White Copolyester Glazing (HS1)
3. Exterior and/or Interior Manual Releases (M1, M2 or M3)
4. Fusible Link Temperatures: 165°, 212°, 286°, 360° or 520°  
Add highlighted suffixes to model number where applicable:  
i.e. 4896-SVL-CM-1-HS1-M3-BS

**Options:**

1. Self Flashing Bases of 9" or 12" (9 or 12)
2. Insulated Frame (INS)
3. Double Wall Frame (DW)
4. Insect Screens (IS) or Bird Screens (BS)
5. Rain Guard (RG) and/or Dust Filters (DF)

**Accessories:** See PDS (Product Data Sheets) for these Items

1. Gladiator
  - a. Structural Curb (SC)
  - b. Security Grills (SG)
  - c. Safety Screens (SSCRN)
2. Quickkit (Installation Kits)
  - a. Stainless Steel (QKSS)
  - b. Zinc Plated (QKZP)