

Trituff Smoke Hatch

Industrial Smoke Hatch and
(Optional) Security Grill



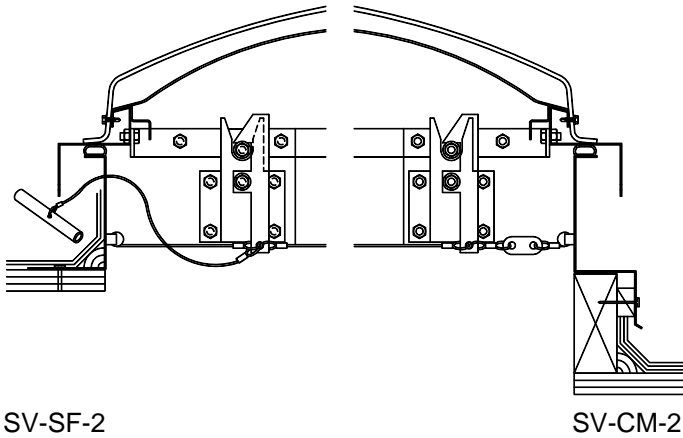
Copolyester Triarch

Model SV

Frame Material
Aluminum

Bristolite copolyester glazing has been load tested and complies with OSHA – CFR's for fall protection.

Details (Scale: 2":1'-0")



Specifications

Trituff Smoke Hatch shall be model No. _____ as manufactured by Bristolite Daylighting Systems, Santa Ana, CA. Smoke Hatches shall be glazed with a plastic dome using Trituff UL972 listed material. The dome is attached to an openable frame, which in turn is attached to the base frame with a hinge. This frame is compression loaded by torsion springs and secured on the opposite side with latches operated either manually, or by UL/FM listed fusible links. All frames to be fully welded for water tight integrity. The frame is to have an integral condensation channel to carry moisture to the exterior. The dome retaining fasteners are to be corrosion resistant. The base frame is fabricated of 6063-T5 heliarc welded aluminum and shall be installed either on a 1-1/2" wide curb furnished by others or on its own 4", 9", or 12" high self flashing curb fabricated from aluminum with a 2-3/4" roof flange. Materials are to be self extinguishing Approved Plastic CC-1 Rated.

Sizes:

Model Number	Inside Curb Dimension	Model Number	Inside Curb Dimension	Model Number	Inside Curb Dimension	Model Number	Inside Curb Dimension
4848-SV	48" x 48"			4896-SV	48" x 96"		
				6072-SV	60" x 72"		

Solar Heat Gain Coefficient = .50, U Factor = .65, Visible Light Transmission = 60% (Typical for HS1 double glazed units)

Features:

1. Curb Mounted (CM) or Self Flashing (SF)
2. White Copolyester Glazing (HS1)
3. Exterior and/or Interior Manual Releases (M1, M2 or M3)
4. Fusible Link Temperatures: 165°, 212°, 286°, 360° or 520°
Add highlighted suffixes to model number where applicable:
i.e. 4896-SV-CM-2-HS1-M3

Accessories: See PDS (Product Data Sheets) for these Items

1. Gladiator
 - a. Structural Curb (SC)
 - b. Security Grills (SG)
 - c. Safety Screens (SSCRN)
2. Quickkit (Installation Kits)
 - a. Stainless Steel (QKSS)
 - b. Zinc Plated (QKZP)

Options:

1. Insulating Double Domes (2) or Single Dome (1)
2. Polycarbonate Dome (PC) (inner dome only)
3. Self Flashing Bases of 9" or 12" (9 or 12)
4. Insulated Frame (INS)
5. Double Wall Frame (DW)