

Energy Star Smoke Vent

Industrial Smoke Vent and
(Optional) Security Grill



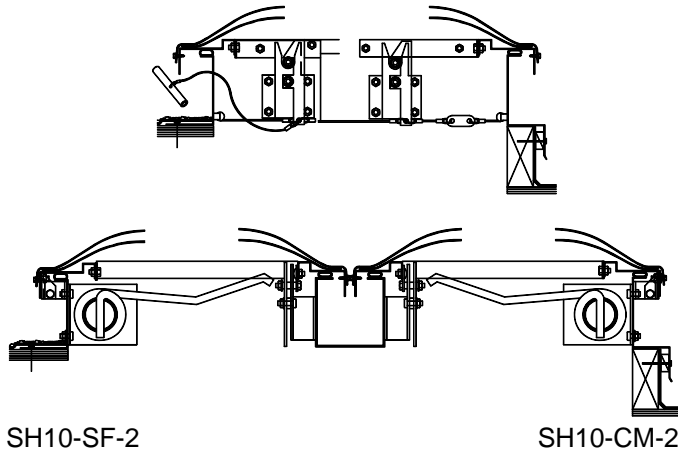
Fiberglass Dome

Model SH10

Frame Material
Steel

Bristolite fiberglass glazing has been load tested and complies with OSHA – CFR's for fall protection.

Details (Scale: 1"=1'-0")



Specifications

Energy Star Skylight shall be model No. _____ as manufactured by Bristolite Daylighting Systems, Santa Ana, CA. The curb, cross stiffeners and double doors shall be fabricated from galvanized steel and shall be glazed with CC-1 rated fiberglass domes. Corners shall be welded to insure weather tightness. The double lid domes are compression loaded by torsion springs, secured on the opposite side with actuated latches and equipped with heavy-duty shock absorbers to control the speed of operation operated either manually, or by UL/FM listed fusible links. They can also be opened by the manual exterior handle. The door will open against a 10psf uniform load. In the closed position the units will withstand a minimum 40psf uniform static positive and negative load. The base frame shall be installed either on a 1-1/2" wide curb furnished by others or on its own 4", 9", or 12" high self flashing curb fabricated from galvanized steel with a 2-3/4" roof flange. The unit meets the requirements of UBC Standard 15-7.

Materials tested in conformance with FM 4431 including 2" severe hail test.

Sizes:

Model Number	Inside Curb Dimension	Model Number	Inside Curb Dimension	Model Number	Inside Curb Dimension	Model Number	Inside Curb Dimension
4848-SH10	48" x 48"			4896-SH10	48" x 96"		
				6072-SH10	60" x 72"		

Solar Heat Gain Coefficient = .46, U Factor = .63, Visible Light Transmission = 63% (Typical for ESA double glazed units)

Features:

1. Curb Mounted (CM) or Self Flashing (SF)
2. Energy Star Glazing (ESA)
3. Exterior and/or Interior Manual Releases (M1, M2 or M3)
4. Fusible Link Temperatures: 165°, 212°, 286°, 360° or 520°
Add highlighted suffixes to model number where applicable:
i.e. 4896-SH10-CM-2-ESA

Accessories: See PDS (Product Data Sheets) for these Items

1. Gladiator
 - a. Structural Curb (SC)
 - b. Security Grills (SG)
 - c. Safety Screens (SSCRN)
2. Quickkit (Installation Kits)
 - a. Stainless Steel (QKSS)
 - b. Zinc Plated (QKZP)

Options:

1. Insulating Double Domes (2) or Single Dome (1)
2. Polycarbonate Dome (PC) (inner dome only)
3. Self Flashing Bases of 9" or 12" (9 or 12)
4. Insulated Frame (INS)
5. Double Wall Frame (DW)