

Trituff Smoke Vent

Industrial Smoke Vent and
(Optional) Security Grill



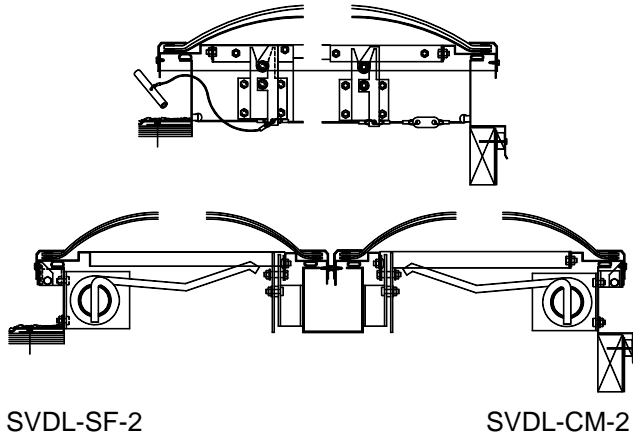
Copolyester Triarch

Model SVDL

Frame Material
Aluminum

Bristolite copolyester glazing has been load tested and complies with OSHA – CFR's for fall protection.

Details (Scale: 1"=1'-0")



Specifications

Trituff Skylight shall be model No. _____ as manufactured by TriStar Skylights; a wholly owned subsidiary of Bristolite Daylighting Systems, Santa Ana, CA. The curb, cross stiffeners and double doors shall be fabricated from 6063-T5 aluminum and shall be glazed with a plastic dome using Trituff UL 972 listed material. Corners shall be welded to insure weather tightness. The double lid domes are compression loaded by torsion springs, secured on the opposite side with actuated latches and equipped with a shock absorber to control the speed of operation operated either manually, or by UL/FM listed fusible links. They can also be opened by the manual exterior handle. The door will open against a 10psf uniform load. In the closed position the units will withstand a minimum 40psf uniform static positive and negative load. The base frame shall be installed either on a 1-1/2" wide curb furnished by others or on its own 4", 9", or 12" high self flashing curb fabricated from aluminum with a 2-3/4" roof flange. Materials are to be self extinguishing Approved Plastic CC-1 Rated. The unit meets the requirements of UBC Standard 15-7.

Sizes:

Model Number	Inside Curb Dimension	Model Number	Inside Curb Dimension	Model Number	Inside Curb Dimension	Model Number	Inside Curb Dimension
4848-SVDL	48" x 48"			4896-SVDL	48" x 96"		
				6072-SVDL	60" x 72"		

Solar Heat Gain Coefficient = .50, U Factor = .65, Visible Light Transmission = 60% (Typical for HS1 double glazed units)

Features:

1. Curb Mounted (CM) or Self Flashing (SF)
2. White Copolyester Glazing (HS1)
3. Exterior and/or Interior Manual Releases (M1, M2 or M3)
4. Fusible Link Temperatures: 165°, 212°, 286°, 360° or 520°
Add highlighted suffixes to model number where applicable:
i.e. 4848-SVDL-CM-2-HS1-M1

Accessories: See PDS (Product Data Sheets) for these Items

1. Gladiator
 - a. Structural Curb (SC)
 - b. Security Grills (SG)
 - c. Safety Screens (SSCRN)
2. Quickkit (Installation Kits)
 - a. Stainless Steel (QKSS)
 - b. Zinc Plated (QKZP)

Options:

1. Insulating Double Domes (2) or Single Dome (1)
2. Polycarbonate Dome (PC) (inner dome only)
3. Self Flashing Bases of 9" or 12" (9 or 12)
4. Insulated Frame (INS)
5. Double Wall Frame (DW)