

# Bristol Smoke Vent

Industrial Smoke Vent and  
(Optional) Security Grill



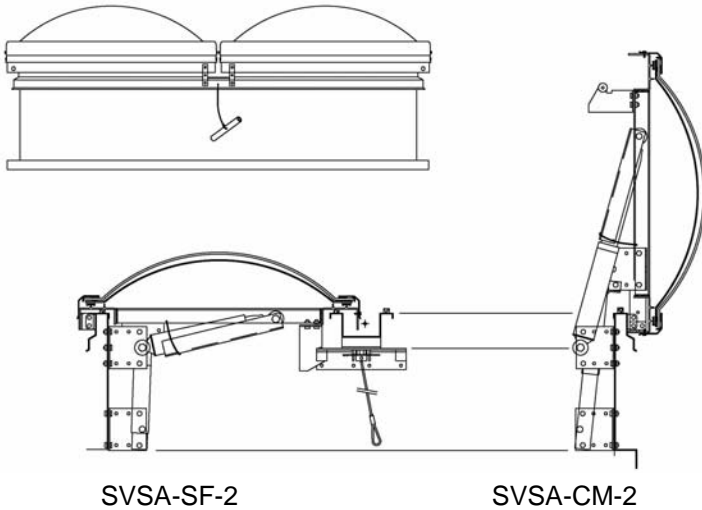
Acrylic Dome

Model SVSA

Frame Material  
Steel



Details (Scale: 5/8":1'-0")



Specifications

Bristol Smoke Vents shall be model No. \_\_\_\_\_ as manufactured by Bristolite Daylighting Systems, Santa Ana, CA. Skylight domed doors shall be acrylic glazing with CC-2 rating as manufactured by Bristolite. Curb frames shall be 14 gauge paint bonded galvanized steel and shall be 13" high (12" to door hinge) with a 4" pre-drilled fastening flange. Curb shall have an integral fully corner welded cap flashing. Exterior insulation (when specified) shall be 1" rigid fiberboard. Double leaf doors are compression loaded by a torsion spring and secured on the opposite side with latches operated either manually, or by a single UL Listed fusible link and shall open and lock in a 90 degree open position. Door shall open against a 10psf, 20psf or 30psf uniform load and shall withstand a uniform 10psf load in the open and locked position. Doors shall be spring-actuated and equipped with heavy-duty shock absorbers to control speed of operation. Unit shall withstand a 40psf uniform static load in the closed position, and a 30psf uplift load. Both exterior and interior manual releases that do not affect the fusible link shall also be provided and shall automatically be reset by closing the vent doors. All hardware shall be plated for corrosion resistance.

Sizes:

Model Number	Inside Curb Dimension	Model Number	Inside Curb Dimension	Model Number	Inside Curb Dimension	Model Number	Inside Curb Dimension
4848-SVSA	48" x 48"			4872-SVSA	48" x 72"		
6060-SVSA	60" x 60"			4896-SVSA	48" x 96"		
				6072-SVSA	60" x 72"		
				6096-SVSA	60" x 96"		

Solar Heat Gain Coefficient = .50, U Factor = .56, Visible Light Transmission = 53% (Typical for WTM double glazed units)

Features:

1. Curb Mounted (CM) or Self Flashing (SF)
2. Four Acrylic Color Choices: Medium White (WTM) Bronze (BT), Grey (GT) or Clear (CC)
3. Exterior and/or Interior Manual Releases (M1, M2 or M3)
4. Fusible Link Temperatures: 165°, 212°, 286°, 360° or 520°  
Add highlighted suffixes to model number where applicable:  
i.e. 4896-SVSA-CM-2-CC-CC-MF

Accessories: See PDS (Product Data Sheets) for these Items

1. Gladiator
  - a. Structural Curb (SC)
  - b. Security Grills (SG)
  - c. Safety Screens (SSCRN)
2. Quickkit (Installation Kits)
  - a. Stainless Steel (QKSS)
  - b. Zinc Plated (QKZP)

Options:

1. Insulating Double Domes (2) or Single Dome (1)
2. Insulated Frame (INS)
3. Insulated Frame and Gutter (INSG)
4. 10psf, 20psf, or 30psf Opening Capability