

Tufflite F5

Polycarbonate

Heavy Weather / High Security

Industrial Skylight



Polycarbonate Dome

Model HWHSF5

Frame Material: Aluminum

NFRC: Certified

IECC 2015: Meets without controls climate zone 1, meets with controls climate zones 2-8

OSHA: Meets CFR fall regulations

Hurricane conformance with: Metro Dade County – NOA # 15-0601.08; Florida Building Code – FL14006

FM Global: Passes 4431 2" severe hail test

Anti-Terrorism: UFC 4-010-01 DoD Blast Resistant – High; ASTM F 1642 Hazard Rating – No Break

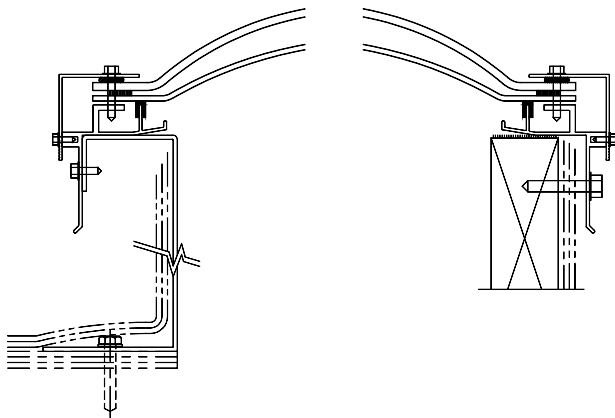
GSA TS01 Performance Condition – #1 No Hazard

ICC 500-2014: Meets and exceeds ICC standard

UL: Class 4 hail rating

AAMA: WDMA/CSA 101/I.S.2/A440-08 &

Details:



HWHSF5-SF-2

HWHSF5-CM-2

Specifications

Tufflite F5 skylight shall be model No. _____ as manufactured by Kingspan Light + Air, Santa Ana, CA. Skylights shall be fully factory assembled consisting of a polycarbonate dome with a CC-1 classification that is sealed by interior and exterior gaskets to a 6063-T5 heliarc welded aluminum frame. The frame is to have an integral condensation channel to carry moisture to the exterior. The aluminum retaining cap fasteners are to be corrosion resistant. The skylight shall be installed either on a 1-1/2" wide curb furnished by others or on its own 6", 9" or 12" high self flashing curb fabricated from aluminum with a 2-3/4" roof nailing flange.

Sizes:

Model Number	Inside Curb Dimension	Model Number	Inside Curb Dimension	Model Number	Inside Curb Dimension	Model Number	Inside Curb Dimension
4848-HWHSF5	48" x 48"			4884-HWHSF5	48" x 84"		
5555-HWHSF5	55" x 55"			4896-HWHSF5	48" x 96"		
				6072-HWHSF5	60" x 72"		
				6096-HWHSF5	60" x 96"		

Solar Heat Gain Coefficient = .26, U Factor = .80, Visible Light Transmission = 60% (Typical for double glazed units)

Features:

1. Curb Mounted (CM) or Self Flashing (SF)
2. Three Polycarbonate Colors: Medium White Translucent (WPC), Bronze (BPC) or Clear (CPC)
Add highlighted suffixes to model number where applicable:
i.e. 4848-HWHSF5-CM-2-CPC-WPC-MF

Options:

1. Insulating Double Domes (2) or Single Dome (1)
2. Frame Finish – Brown Paint (BP) or Mill Finish (MF)
3. Self Flashing Bases of 6", 9" or 12" (6, 9 or 12)
4. EPDM Curb Seal Tape (CMT)
5. Insulated Curb (INS)
6. Wood Nailer (WN)
7. Aluminum Double Wall (DW)

Accessories: See PDS (Product Data Sheets) for these Items

1. Gladiator
 - a. Structural Curb (SC)
 - b. Security Grills (SG)
 - c. Safety Screens (SSCRN)
 - d. External Safety Cages (SCAGE)



The new name for
Bristolite Daylighting Systems

401 E. Goetz Ave.
Santa Ana, CA 92707
sales@bristolite.com
www.bristolite.com

(800) 854-8618
(714) 540-8950
Fax (714) 540-5415



PDS-1650-TL