

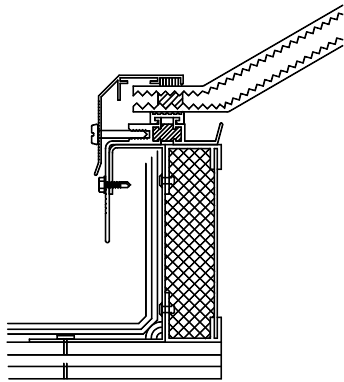
Prismatic Pyramid Dome

Model ALT

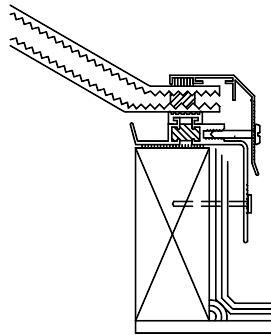
Frame Material

Aluminum
Bristolite prismatic glazing has been load tested and complies with OSHA – CFR’s for fall protection.

Details (Scale: 3":1'-0")



ALT-SF-2-P



ALT-CM-2-P

Specifications

Quasar Skylight shall be model No. _____ as manufactured by Bristolite Daylighting Systems, Santa Ana, CA. Skylight shall be fully factory assembled consisting of a plastic pyramid dome using prismatic material with a CC-2 classification that is sealed by interior and exterior gaskets to a 6063-T5 heliarc welded aluminum frame fabricated of aluminum and polyurethane thermal break material to prevent thermal losses through the frame and the formation of condensation on its interior surfaces. The frame is to have an integral condensation channel. The aluminum retaining cap fasteners are to be corrosive resistant. The base frame shall be installed either on a 1-1/2" wide curb furnished by others or on its own 4", 9", or 12" high self flashing curb fabricated from aluminum with a 2-3/4" roof flange with 1" of insulation in a PVC frame and an aluminum liner on the interior of the self flashing frame. Standard slope of a pyramid dome to be 30° rise.

Sizes:

Model Number	Inside Curb Dimension	Model Number	Inside Curb Dimension	Model Number	Inside Curb Dimension	Model Number	Inside Curb Dimension
1414-ALT	14 1/4" x 14 1/4"	6060-ALT	60" x 60"	2246-ALT	22 1/4" x 46 1/4"		
1919-ALT	19" x 19"			2272-ALT	22 1/4" x 72"		
2222-ALT	22 1/4" x 22 1/4"			2448-ALT	24" x 48"		
3030-ALT	30 1/4" x 30 1/4"			3046-ALT	30 1/4" x 46 1/4"		
3737-ALT	37" x 37"			3069-ALT	30 1/4" x 69 1/2"		
4242-ALT	42" x 42"			3746-ALT	37" x 46 1/4"		
4646-ALT	46 1/4" x 46 1/4"			4669-ALT	46 1/4" x 69 1/2"		
4848-ALT	48" x 48"			4896-ALT	48" x 96"		
5555-ALT	55" x 55"						

Solar Heat Gain Coefficient = .47, U Factor = .73, Visible Light Transmission = 70% (Typical for CM double glazed units)

Features:

1. Curb Mounted (**CM**) or Self Flashing (**SF**)
 2. Prismatic Pyramid Dome(s) (**P**)
 3. Two Prismatic Color Choices: White Prismatic Acrylic (**WPM**) or Clear Prismatic Acrylic (**CPM**)
 4. Insulated Frame (**INS**) (self flashing models only)
 5. Double Wall Frame (**DW**) (self flashing models only)
- Add highlighted suffixes to model number where applicable:
i.e. 4896-ALT-CM-2-CPM-WPM-P-CA

Options:

1. Insulating Double Domes (**2**) or Single Dome (**1**)
2. Dome or Double Hip (**DH**) Shaped Dome (selected sizes)

Options: (cont.)

3. Frame Finish - Bronze Anodize (**BA**), Clear Anodize (**CA**), White Painted (**WP**) or Mill Finish (**MF**)
4. Self Flashing Bases of 9" or 12" (**9** or **12**)

Accessories: See PDS (Product Data Sheets) for these Items

1. Gladiator
 - a. Structural Curb (**SC**)
 - b. Security Grills (**SG**)
 - c. Safety Screens (**SSCRN**)
 - d. External Safety Cages (**SCAGE**)
2. Quickkit (Installation Kits)
 - a. Stainless Steel (**QKSS**)
 - b. Zinc Plated (**QKZP**)