

Industrial Skylight and  
(Optional) Security Grill



Fiberglass Dome

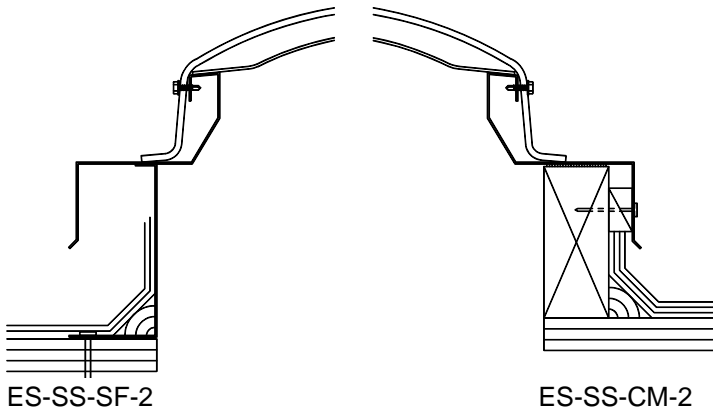
## Model ES-SS

**Frame Material**  
Steel

Bristolite fiberglass glazing has been load tested and complies with OSHA – CFR's for fall protection.

Details (Scale: 3":1'-0")

Specifications



Energy Star Skylight shall be model No. \_\_\_\_\_ as manufactured by Bristolite Daylighting Systems, Santa Ana, CA. The fiberglass dome shall be an impact resistant molded one piece unit with integral counter flashing skirt to eliminate any dependence on gaskets, sealants or flow through designs. Fiberglass shall consist of neopentyl glycol isophthalic gelcoat laminate with an acrylic modified polyester based resin with UV light stabilizers and silane glass fibers. These units are attached to a 20 gauge galvanized steel frame through use of corrosive resistant fasteners. The base frame shall be installed either on a 1-1/2" wide curb furnished by others or on its own 4", 9", or 12" high self flashing curb fabricated from galvanized steel with a 2-3/4" roof flange. Materials are to be self extinguishing Approved Plastic CC-1 Rated.

Materials tested in conformance with FM 4431 including 2" severe hail test.

**Sizes:**

Model Number	Inside Curb Dimension	Model Number	Inside Curb Dimension	Model Number	Inside Curb Dimension	Model Number	Inside Curb Dimension
4848-ES-SS	48" x 48"			4896-ES-SS	48" x 96"		
				6072-ES-SS	60" x 72"		

Solar Heat Gain Coefficient = .46, U Factor = .63, Visible Light Transmission = 63% (Typical for ESA double glazed units)

**Features:**

1. Curb Mounted (CM) or Self Flashing (SF)
2. Impact Resistant (IR) – Can withstand a heavy impact
3. High Wind Resistant (HW) – Can withstand high wind conditions
4. Energy Star Glazing (ESA)

Add highlighted suffixes to model number where applicable:  
i.e. 4896-ES-SS-CM-2-ESA-IR-HW-MF

**Options:**

1. Insulating Double Domes (2) or Single Dome (1)
2. Polycarbonate Dome (PC) (inner dome only)
3. Impact Modified Prismatic Acrylic Glazing (PRISM)  
Up to and including 4896 and 6072, no larger (inner dome only)
4. Self Flashing Bases of 9" or 12" (9 or 12)
5. Insulated Frame (INS)
6. Double Wall Frame (DW)

**Accessories:** See PDS (Product Data Sheets) for these Items

1. Gladiator
  - a. Structural Curb (SC)
  - b. Security Grills (SG)
  - c. Safety Screens (SSCRN)
2. Quickkit (Installation Kits)
  - a. Stainless Steel (QKSS)
  - b. Zinc Plated (QKZP)