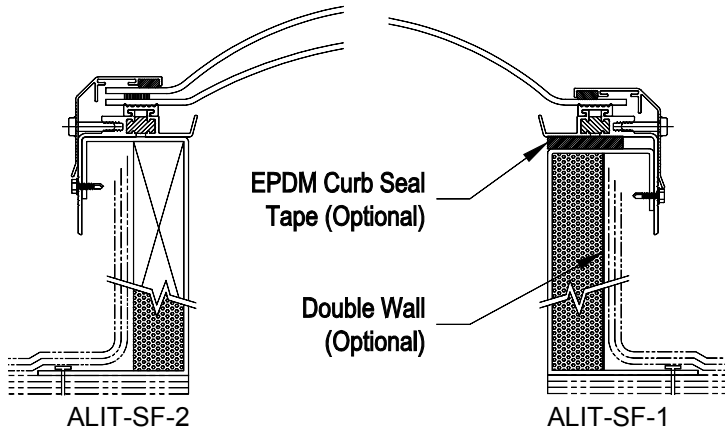


Copolyester Dome

Details:



Specifications

Trituff skylight shall be model No. _____ as manufactured by Bristolite Daylighting Systems, Santa Ana, CA. The skylight shall be fully factory assembled consisting of a plastic dome (triarch shape for larger skylights) with a CC-1 classification using Trituff UL972 listed material that is sealed by interior and exterior gaskets to a 6063-T5 heliarc welded aluminum frame fabricated of aluminum and polyurethane thermal break material to prevent thermal losses through the frame and the formation of condensation on its interior surfaces. The frame is to have an integral condensation channel to carry moisture to the exterior. The aluminum retaining cap fasteners are to be corrosive resistant. The skylight frame shall be installed on its own 9" or 12" high self flashing curb fabricated from aluminum with a 2-3/4" roof nailing flange. The base is made up with 1" insulation and a wood nailer and/or an additional aluminum liner on the exterior of the self flashing curb.

Sizes:

| Model Number | Inside Curb Dimension | Model Number | Inside Curb Dimension | Model Number | Inside Curb Dimension | Model Number | Inside Curb Dimension |
|--------------|-----------------------|--------------|-----------------------|--------------|-----------------------|--------------|---------------------------|
| 1414-ALIT | 14 1/4" x 14 1/4" | 1422-ALIT | 14 1/4" x 22 1/4" | 3037-ALIT | 30 1/4" x 37" | 3859-ALIT | 38" x 59" |
| 1919-ALIT | 19" x 19" | 1446-ALIT | 14 1/4" x 46 1/4" | 3046-ALIT | 30 1/4" x 46 1/4" | 4669-ALIT | 46 1/4" x 69 1/2" |
| 2222-ALIT | 22 1/4" x 22 1/4" | 2230-ALIT | 22 1/4" x 30 1/4" | 3069-ALIT | 30 1/4" x 69 1/2" | 4689-ALIT | 46 1/4" x 89 1/2" |
| 3030-ALIT | 30 1/4" x 30 1/4" | 2237-ALIT | 22 1/4" x 37" | 3096-ALIT | 30 1/4" x 96" | 4884-ALIT* | 48" x 84" |
| 3737-ALIT | 37" x 37" | 2246-ALIT | 22 1/4" x 46 1/4" | 3496-ALIT | 34" x 96" | 4896-ALIT* | 48" x 96" |
| 4242-ALIT | 42" x 42" | 2272-ALIT | 22 1/4" x 72" | 3696-ALIT | 36" x 96" | 5460-ALIT* | 54" x 60" |
| 4646-ALIT | 46 1/4" x 46 1/4" | 2296-ALIT | 22 1/4" x 96" | 36120-ALIT | 36" x 120" | 6072-ALIT* | 60" x 72" |
| 4848-ALIT* | 48" x 48" | 2448-ALIT | 24" x 48" | 3746-ALIT | 37" x 46 1/4" | 6096-ALIT* | 60" x 96" |
| 5555-ALIT* | 55" x 55" | 2496-ALIT | 24" x 96" | 3775-ALIT | 37" x 75" | | Call for additional sizes |

*Skylight dome in a triarch shape only.

Solar Heat Gain Coefficient = .50, U Factor = .65, Visible Light Transmission = 60% (Typical for HS1 double glazed units)

Features:

1. Self Flashing (SF)
2. White Copolyester Glazing (HS1)
3. Insulated Curb (INS)
4. Wood Nailer (WN)

Add highlighted suffixes to model number where applicable:
i.e. 4896-ALIT-SF-2-HS1-CC-INS-WN-CA

Options:

1. Insulating Double Domes (2) or Single Dome (1)
2. Low Profile Dome (selected sizes) (LP)
3. Frame Finish - Bronze Anodize (BA), Clear Anodize (CA), White Painted (WP) or Mill Finish (MF)
4. Self Flashing Bases of 9" or 12" (9 or 12)

Options: (cont.)

5. Aluminum Double Wall (DW)
6. EDPM Curb Seal Tape

Accessories: See PDS (Product Data Sheets) for these Items

1. Gladiator
 - a. Security Grills (SG)
 - b. Safety Screens (SSCRN)
 - c. External Safety Cages (SCAGE)