

Industrial Skylight and
(Optional) Security Grill



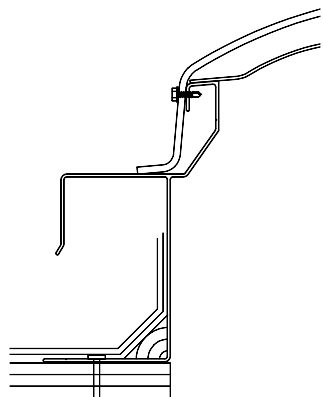
Copolyester Triarch

Model SS

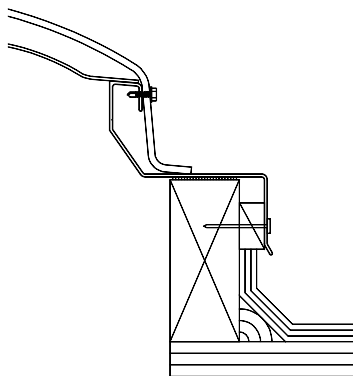
Frame Material
Steel

Bristolite copolyester glazing has been load tested and complies with OSHA – CFR's for fall protection.

Details (Scale: 3":1'-0")



SS-SF-2



SS-CM-2

Specifications

Trituff Skylight shall be model No. _____ as manufactured by Bristolite Daylighting Systems, Santa Ana, CA. Skylights shall be glazed with a plastic dome using Trituff UL972 listed material and attached to a galvanized steel frame. The dome retaining fasteners are to be corrosion resistant. The base frame shall be installed either on a 1-1/2" wide curb furnished by others or on its own 4", 9", or 12" high self flashing curb fabricated from galvanized steel with a 2-3/4" roof flange. Materials are to be self extinguishing Approved Plastic CC-1 Rated.

Sizes:

Model Number	Inside Curb Dimension	Model Number	Inside Curb Dimension	Model Number	Inside Curb Dimension	Model Number	Inside Curb Dimension
4848-SS	48" x 48"			4884-SS	48" x 84"		
				4896-SS	48" x 96"		
				6072-SS	60" x 72"		

Solar Heat Gain Coefficient = .50, U Factor = .65, Visible Light Transmission = 60% (Typical for HS1 double glazed units)

Features:

- Curb Mounted (CM) or Self Flashing (SF)
- White Copolyester Glazing (HS1)
Add highlighted suffixes to model number where applicable:
i.e. 4848-SS-SF-2-HS1-9-INS

Options:

- Insulating Double Domes (2) or Single Dome (1)
- Self Flashing Bases of 9" or 12" (9 or 12)
- Insulated Frame (INS)
- Double Wall Frame (DW)

Accessories: See PDS (Product Data Sheets) for these Items

- Gladiator
 - Structural Curb (SC)
 - Security Grills (SG)
 - Safety Screens (SSCRN)
- Quickkit (Installation Kits)
 - Stainless Steel (QKSS)
 - Zinc Plated (QKZP)