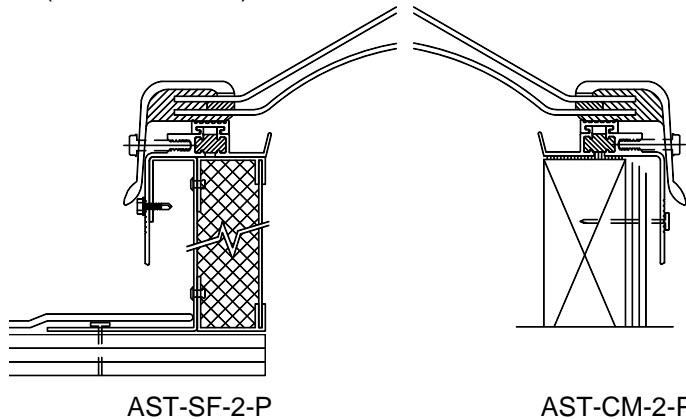


Residential Skylight  
Thermally Broken

### Acrylic Pyramid Dome

Details (Scale: 3½":1'-0")



Specifications

Thermoweld Skylight shall be model No. \_\_\_\_\_ as manufactured by Bristolite Daylighting Systems, Santa Ana, CA. Skylights shall be fully factory assembled consisting of acrylic pyramid glazing with a CC-2 classification that shall be fused to its own counter flashing fiberglass skirt through the Thermoweld process which, in turn is attached to a thermally broken 6063-T5 aluminum frame. The base frame shall be installed either on a 1-1/2" wide curb furnished by others or on its own 4", 9", or 12" high self flashing curb fabricated from aluminum with a 2-3/4" roof flange and a built in water barrier and 10° sloping weepage gutter for condensation drainage. Standard slope of a pyramid dome to be 30° rise.

#### Sizes:

Model Number	Inside Curb Dimension	Model Number	Inside Curb Dimension	Model Number	Inside Curb Dimension	Model Number	Inside Curb Dimension
1414-AST	14 1/4" x 14 1/4"	7070-AST	70 1/4" x 70 1/4"	2246-AST	22 1/4" x 46 1/4"		
1919-AST	19" x 19"	7575-AST	75" x 75"	2272-AST	22 1/4" x 72"		
2222-AST	22 1/4" x 22 1/4"	8484-AST	84" x 84"	3046-AST	30 1/4" x 46 1/4"		
3030-AST	30 1/4" x 30 1/4"	9292-AST	92 1/2" x 92 1/2"	3069-AST	30 1/4" x 69 1/2"		
3737-AST	37" x 37"			3746-AST	37" x 46 1/4"		
4242-AST	42" x 42"			4669-AST	46 1/4" x 69 1/2"		
4646-AST	46 1/4" x 46 1/4"			4896-AST	48" x 96"		
4848-AST	48" x 48"						
5555-AST	55" x 55"						

Solar Heat Gain Coefficient = .50, U Factor = .56, Visible Light Transmission = 53% (Typical for WTM double glazed units)

#### Features:

1. Curb Mounted (CM) or Self Flashing (SF)
2. Four Acrylic Color Choices: Medium White (WTM), Bronze (BT), Grey (GT) or Clear (CC)
3. Standard Bronze Color Fiberglass Frame Finish  
Add highlighted suffixes to model number where applicable:  
i.e. 3737-AST-CM-2-WTM-P-WP

#### Options:

1. Insulating Double Domes (2) or Single Dome (1)
2. Dome or Double Hip (DH) Shaped Dome (selected sizes)
3. Polycarbonate Dome (PC) (inner dome only)
4. Impact Modified Prismatic Acrylic Glazing (WPM/CPM) (inner dome only) Up to and including 4896 and 6072, no larger

#### Options: (cont.)

5. Base Frame Finish (self flashing only) – Bronze Anodize (BA), Clear Anodize (CA), White Painted (WP) or Mill Finish (MF)
6. Fiberglass Frame Finish – White Gel (WGEL)
7. Self Flashing Bases of 9" or 12" (9 or 12)
8. Insulated Frame (INS)

#### Accessories: See PDS (Product Data Sheets) for these Items

1. Quickkit (Installation Kits)
  - a. Stainless Steel (QKSS)
  - b. Zinc Plated (QKZP)