

Thermoweld Acrylic

Manual Openable
Residential Skylight

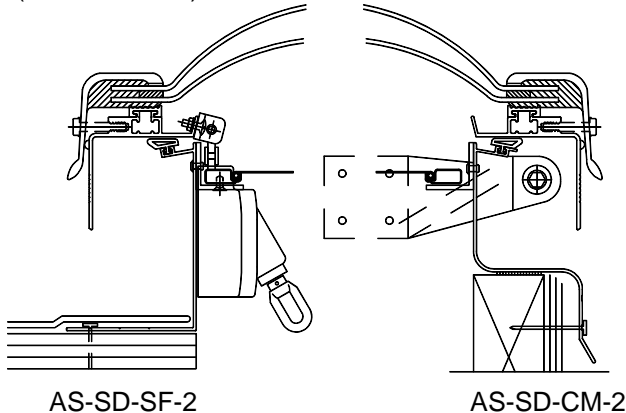


Acrylic Dome

Model AS-SD

Frame Material
Fiberglass / Aluminum

Details (Scale: 3":1'-0")



Specifications

Thermoweld Skylight shall be model No. _____ as manufactured by Bristolite Daylighting Systems, Santa Ana, CA. Skylights shall be fully factory assembled consisting of acrylic glazing with a CC-2 classification that shall be fused to its own counter flashing fiberglass skirt through the Thermoweld process which, in turn is attached to a thermally broken aluminum frame. The openable frame is attached to the base frame with a pivot hinge. The openable frame is lifted by a lifting mechanism with a removable 5' handle. The base frame shall be 6063-T5 heliarc welded aluminum. All units have insect screens and perimeter gasketing around the base. The skylight shall be installed either on a 1-1/2" wide curb furnished by others or on its own 4" high self flashing curb fabricated from aluminum with a 2-3/4" roof flange.

Sizes:

| Model Number | Inside Curb Dimension | Model Number | Inside Curb Dimension | Model Number | Inside Curb Dimension | Model Number | Inside Curb Dimension |
|--------------|-----------------------|--------------|-----------------------|--------------|-----------------------|--------------|-----------------------|
| 1414-AS-SD | 14 1/4" x 14 1/4" | 7070-AS-SD* | 70 1/4" x 70 1/4" | 2246-AS-SD | 22 1/4" x 46 1/4" | 3775-AS-SD* | 37" x 75" |
| 1919-AS-SD | 19" x 19" | 7575-AS-SD* | 75" x 75" | 2272-AS-SD* | 22 1/4" x 72" | 3859-AS-SD | 38" x 59" |
| 2222-AS-SD | 22 1/4" x 22 1/4" | 8484-AS-SD* | 84" x 84" | 2296-AS-SD* | 22 1/4" x 96" | 4669-AS-SD* | 46 1/4" x 69 1/2" |
| 3030-AS-SD | 30 1/4" x 30 1/4" | 9292-AS-SD* | 92 1/2" x 92 1/2" | 3037-AS-SD | 30 1/4" x 37" | 4689-AS-SD* | 46 1/4" x 89 1/2" |
| 3737-AS-SD | 37" x 37" | | | 3046-AS-SD | 30 1/4" x 46 1/4" | 4896-AS-SD* | 48" x 96" |
| 4242-AS-SD | 42" x 42" | 1422-AS-SD | 14 1/4" x 22 1/4" | 3069-AS-SD* | 30 1/4" x 69 1/2" | 5460-AS-SD* | 54" x 60" |
| 4646-AS-SD | 46 1/4" x 46 1/4" | 1446-AS-SD | 14 1/4" x 46 1/4" | 3096-AS-SD* | 30 1/4" x 96" | 6096-AS-SD** | 60" x 96" |
| 4848-AS-SD | 48" x 48" | 2230-AS-SD | 22 1/4" x 30 1/4" | 3496-AS-SD* | 34" x 96" | | |
| 5555-AS-SD* | 55" x 55" | 2237-AS-SD | 22 1/4" x 37" | 3746-AS-SD | 37" x 46 1/4" | | |

Dual lifting mechanisms are required. Larger rectangles when hinged on the long side (ex. 4669=6946) will also require dual lifting mechanisms.

*Sizes are *only* available in the following acrylic colors: WTM or BT.

Solar Heat Gain Coefficient = .50, U Factor = .56, Visible Light Transmission = 53% (Typical for WTM double glazed units)

Features:

1. Curb Mounted (CM) or Self Flashing (SF)
2. Four Acrylic Color Choices: Medium White (WTM), Bronze (BT), Grey (GT) or Clear (CC)
3. 5' Operating Pole
4. Standard Bronze Color Fiberglass Frame Finish
Add highlighted suffixes to model number where applicable:
i.e. 2237-AS-SD-CM-2-WTM-WP

Options:

1. Insulating Double Domes (2) or Single Dome (1)
2. Pyramid (P) or Double Hip (DH) Shaped Dome (selected sizes)
3. Polycarbonate Dome (PC) (inner dome only)
4. Low Profile Dome (LP) (selected sizes)

Options: (cont.)

5. Impact Modified Prismatic Acrylic Glazing (WPM/CPM)
(inner dome only) Up to and including 4896 and 6072, no larger
6. Base Frame Finish (self flashing only) – Bronze Anodize (BA), Clear Anodize (CA), White Painted (WP) or Mill Finish (MF)
7. Fiberglass Frame Finish – White Gel (WGEL)
8. Self Flashing Bases of 9" or 12" (9 or 12)
9. Insulated Frame (INS)
10. 32" Extension for the 5' Operating Pole (H-32)
11. Units Hinged on Short Side as Standard. Long Side By Request

Accessories: See PDS (Product Data Sheets) for these Items

1. Quickkit (Installation Kits)
 - a. Stainless Steel (QKSS)
 - b. Zinc Plated (QKZP)