

# Alumilite Insulated Glass

Manual Openable  
Residential Skylight

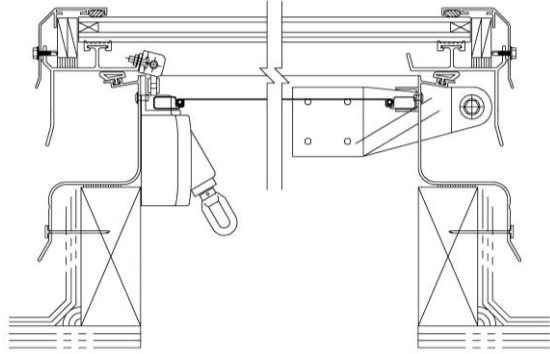


Flat Glass

Model GAL-SD

Frame Material  
Aluminum

Details (Scale: 3":1'-0")



GAL-SD-CM-I

GAL-SD-CM-I

Specifications

Alumilite Skylight shall be model No. \_\_\_\_\_ as manufactured by Bristolite Daylighting Systems, Santa Ana, CA. Skylights shall be fully factory assembled consisting of glass (see below) that is sealed by interior and exterior gasketing to a 6063-T5 heliarc welded aluminum openable frame. The openable frame is to have an integral condensation channel to carry moisture to the exterior. The openable frame is attached to the base frame with a pivot hinge. The openable frame is lifted by a lifting mechanism with a removable 5' handle. The aluminum retaining cap fasteners are to be corrosion resistant. The base frame shall be installed on a 1-1/2" wide curb furnished by others. All units have insect screens and full perimeter gasketing around the base.

Sizes:

Model Number	Inside Curb Dimension	Glass Type	Model Number	Inside Curb Dimension	Glass Type	Model Number	Inside Curb Dimension	Glass Type
1414-GAL-SD	14 1/4" x 14 1/4"	A	1422-GAL-SD	14 1/4" x 22 1/4"	A	3046-GAL-SD	30 1/4" x 46 1/4"	A
1919-GAL-SD	19" x 19"	A	1446-GAL-SD	14 1/4" x 46 1/4"	A	3069-GAL-SD*	30 1/4" x 69 1/2"	B-1
2222-GAL-SD	22 1/4" x 22 1/4"	A	2230-GAL-SD	22 1/4" x 30 1/4"	A	3746-GAL-SD	37" x 46 1/4"	B-AN
3030-GAL-SD	30 1/4" x 30 1/4"	A	2237-GAL-SD	22 1/4" x 37"	A	3775-GAL-SD*	37" x 75"	B-HS
3737-GAL-SD	37" x 37"	A	2246-GAL-SD	22 1/4" x 46 1/4"	A	3859-GAL-SD*	38" x 59"	B-1
4242-GAL-SD*	42" x 42"	B-AN	2272-GAL-SD	22 1/4" x 72"	A			
4646-GAL-SD*	46 1/4" x 46 1/4"	B-1	7222-GAL-SD*	72" x 22 1/4"	A			
			9622-GAL-SD*	96" x 22 1/4"	A			
			3037-GAL-SD	30 1/4" x 37"	A			

\*Dual lifting mechanisms are required.

Minimum pitch of 3:12 is required for all flat glass models.

Solar Heat Gain Coefficient = .52, U Factor = .47, Visible Light Transmission = 51% (Typical for TB glazed units)

Features:

- Curb Mounted (**CM**)
- Three Glass Color Choices: Bronze (**TB**), Grey (**TG**) or Clear (**TC**)
- 5' Operating Pole  
Add highlighted suffixes to model number where applicable:  
i.e. **2272-GAL-SD-CM-I-TG/LC-CA-H-32**

Options:

- Frame Finish - Bronze Anodize (**BA**), Clear Anodize (**CA**), White Painted (**WP**) or Mill Finish (**MF**)
- Low-E Glass – PPG Solarban 60 (**LE**)
- White Laminated Glass (**LW**)
- 32" Extension for the 5' Operating Pole (**H-32**)

Glass Type:

- A:** 5/8" Thick Overall  
(1/8" Tempered, 1/4" Air Space, 1/4" Annealed Lam.)
- B-AN:** 15/16" Thick Overall  
(1/8" Tempered, 3/8" Air Space, 7/16" Annealed Lam.)
- B-1:** 1" Thick Overall  
(3/16" Tempered, 3/8" Air Space, 7/16" Annealed Lam.)
- B-HS:** 1" Thick Overall  
(3/16" Tempered, 3/8" Air Space, 7/16" Heat Strengthened Lam.)
- C:** 1-3/16" Thick Overall  
(1/4" Tempered, 1/2" Air Space, 7/16" Heat Strengthened Lam.)