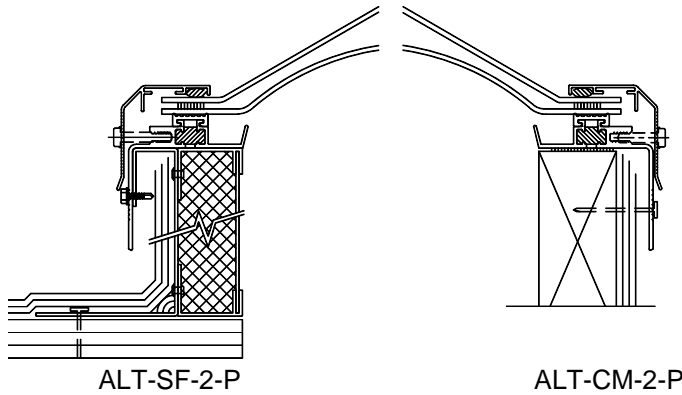


Residential Skylight
Thermally Broken

Acrylic Pyramid Dome

Details (Scale: 3":1'-0")



Specifications

Alumilite Skylight shall be model No. _____ as manufactured by Bristolite Daylighting Systems, Santa Ana, CA. Skylights shall be fully factory assembled consisting of acrylic pyramid glazing with a CC-2 classification that is sealed by interior and exterior gaskets to a 6063-T5 heliarc welded aluminum frame fabricated of aluminum and polyurethane thermal break material to prevent thermal losses through the frame and the formation of condensation on its interior surfaces. The frame is to have an integral condensation channel. The aluminum retaining cap fasteners are to be corrosive resistant. The base frame shall be installed either on a 1-1/2" wide curb furnished by others or on its own 4", 9", or 12" high self flashing curb fabricated from aluminum with a 2-3/4" roof flange with 1" of insulation in a PVC frame and an aluminum liner on the interior of the self flashing frame. Standard slope of a pyramid dome to be 30° rise.

Sizes:

Model Number	Inside Curb Dimension	Model Number	Inside Curb Dimension	Model Number	Inside Curb Dimension	Model Number	Inside Curb Dimension
1414-ALT	14 1/4" x 14 1/4"	6060-ALT*	60" x 60"	2246-ALT	22 1/4" x 46 1/4"		
1919-ALT	19" x 19"	7070-ALT*	70 1/4" x 70 1/4"	2272-ALT	22 1/4" x 72"		
2222-ALT	22 1/4" x 22 1/4"	7575-ALT*	75" x 75"	3046-ALT	30 1/4" x 46 1/4"		
3030-ALT	30 1/4" x 30 1/4"	8484-ALT*	84" x 84"	3069-ALT	30 1/4" x 69 1/2"		
3737-ALT	37" x 37"	9292-ALT*	92 1/2" x 92 1/2"	3746-ALT	37" x 46 1/4"		
4242-ALT	42" x 42"			4669-ALT	46 1/4" x 69 1/2"		
4646-ALT	46 1/4" x 46 1/4"			4896-ALT	48" x 96"		
4848-ALT	48" x 48"						
5555-ALT*	55" x 55"						

*Sizes are **only** available in the following acrylic colors: WTM, CC or BT.

Solar Heat Gain Coefficient = .50, U Factor = .56, Visible Light Transmission = 53% (Typical for WTM double glazed units)

Features:

1. Curb Mounted (CM) or Self Flashing (SF)
2. Acrylic Pyramid Dome (P)
3. Five Acrylic Color Choices: High White (WTH), Medium White (WTM), Bronze (BT), Grey (GT) or Clear (CC)
4. Insulated Frame (INS) (self flashing models only)
5. Double Wall Frame (DW) (self flashing models only)
Add highlighted suffixes to model number where applicable:
i.e. 3030-ALT-CM-2-GT-P-MF

Options:

1. Insulating Double Domes (2) or Single Dome (1)
2. Dome or Double Hip (DH) Shaped Dome (selected sizes)

Options: (cont.)

3. Polycarbonate Dome (PC) (inner dome only)
4. Frame Finish - Bronze Anodize (BA), Clear Anodize (CA), White Painted (WP) or Mill Finish (MF)
5. Self Flashing Bases of 9" or 12" (9 or 12)

Accessories: See PDS (Product Data Sheets) for these Items

1. Quickkit (Installation Kits)
 - a. Stainless Steel (QKSS)
 - b. Zinc Plated (QKZP)