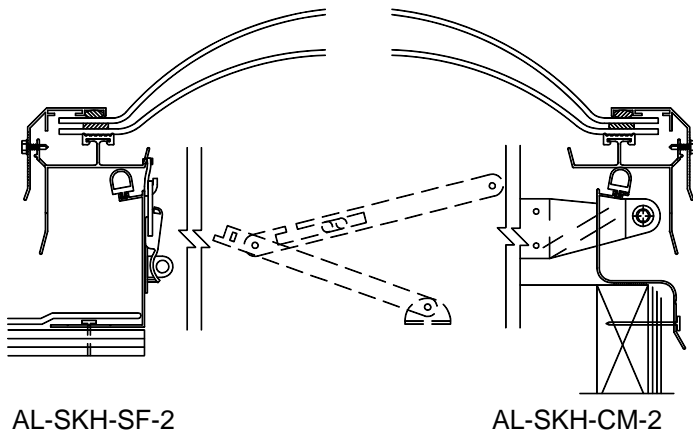




Acrylic Dome

Details (Scale: 2":1'-0")



Specifications

Alumilite Skylight shall be model No. _____ as manufactured by Bristolite Daylighting Systems, Santa Ana, CA. Skyhatches shall be fully factory assembled consisting of acrylic glazing with a CC-2 classification that is sealed by interior and exterior gasketing to an openable frame fabricated of aluminum. The openable frame is to have an integral condensation channel to carry moisture to the exterior. The aluminum retaining cap fasteners are to be corrosive resistant. The openable frame is hinged on the long side of the base frame with a pivot hinge and locking arms to hold the dome open 90°. An interior hasp with padlock provision shall be provided for security. The base frame shall be 6063-T5 heliarc welded aluminum. All units have full perimeter gasketing around the base. The base frame shall be installed either on a 1-1/2" wide curb furnished by others or on its own 4", 9", or 12" high self flashing curb fabricated from aluminum with a 2-3/4" roof flange.

Sizes:

Model Number	Inside Curb Dimension	Model Number	Inside Curb Dimension	Model Number	Inside Curb Dimension	Model Number	Inside Curb Dimension
1414-AL-SKH	14 1/4" x 14 1/4"			1422-AL-SKH	14 1/4" x 22 1/4"		
1919-AL-SKH	19" x 19"			1446-AL-SKH	14 1/4" x 46 1/4"		
2222-AL-SKH	22 1/4" x 22 1/4"			2230-AL-SKH	22 1/4" x 30 1/4"		
3030-AL-SKH	30 1/4" x 30 1/4"			2237-AL-SKH	22 1/4" x 37"		
3737-AL-SKH	37" x 37"			2246-AL-SKH	22 1/4" x 46 1/4"		
4242-AL-SKH	42" x 42"			3037-AL-SKH	30 1/4" x 37"		
				3046-AL-SKH	30 1/4" x 46 1/4"		
				3746-AL-SKH	37" x 46 1/4"		

Solar Heat Gain Coefficient = .50, U Factor = .56, Visible Light Transmission = 53% (Typical for WTM double glazed units)

Features:

1. Curb Mounted (CM) or Self Flashing (SF)
2. Five Acrylic Color Choices: High White (WTH), Medium White (WTM), Bronze (BT), Grey (GT) or Clear (CC)
Add highlighted suffixes to model number where applicable:
i.e. 4242-AL-SKH-CM-2-BT-BA

Options:

1. Insulating Double Domes (2) or Single Dome (1)
2. Pyramid (P) or Double Hip (DH) Shaped Dome (selected sizes)
3. Polycarbonate Dome (PC) (inner dome only)
4. Low Profile Dome (LP) (selected sizes)
5. Impact Modified Prismatic Acrylic Glazing (WPM/CPM)

Options: (cont.)

6. Frame Finish - Bronze Anodize (BA), Clear Anodize (CA), White Painted (WP) or Mill Finish (MF)
7. Self Flashing Bases of 9" or 12" (9 or 12)
8. Insulated Frame (INS)
9. Units Hinged on Short Side as Standard. Long Side By Request

Accessories: See PDS (Product Data Sheets) for these Items

1. Quickkit (Installation Kits)
 - a. Stainless Steel (QKSS)
 - b. Zinc Plated (QKZP)