



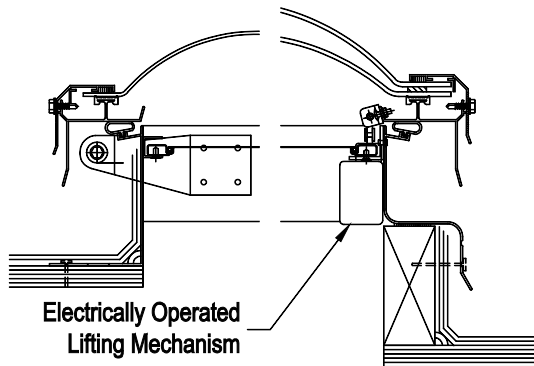
Acrylic Dome

Model AL-ESD

Frame Material
Aluminum

Bristolite acrylic glazing has been load tested and complies with OSHA – CFR's for fall protection.

Details (Scale: 2":1'-0")



AL-ESD-SF-1

AL-ESD-CM-2

Dimensions, mounting and the type of electrically operated lifting mechanism will vary with the size of unit.

Specifications

Alumilite Skylight shall be model No. _____ as manufactured by Bristolite Daylighting Systems, Santa Ana, CA. Skylights shall be fully factory assembled consisting of acrylic glazing with a CC-2 classification that is sealed by interior and exterior gasketing to an openable frame fabricated of aluminum. The openable frame is to have an integral condensation channel to carry moisture to the exterior. The aluminum retaining cap fasteners are to be corrosive resistant. The openable frame is attached to the base frame with a pivot hinge. The openable frame is lifted by a lifting mechanism with an electrically operated mechanism. The base frame shall be 6063-T5 heliarc welded aluminum. All units have insect screens and full perimeter gasketing around the base. A wall switch is provided to trigger the motor, opening the skylight for ventilation. The base frame shall be installed either on a 1-1/2" wide curb furnished by others or on its own 4", 9", or 12" high self flashing curb fabricated from aluminum with a 2-3/4" roof flange.

Sizes:

Model Number	Inside Curb Dimension	Model Number	Inside Curb Dimension	Model Number	Inside Curb Dimension	Model Number	Inside Curb Dimension
1919-AL-ESD	19" x 19"	2230-AL-ESD	22 1/4" x 30 1/4"	3746-AL-ESD	37" x 46 1/4"	4622-AL-ESD	46 1/4" x 22 1/4"
2222-AL-ESD	22 1/4" x 22 1/4"	2237-AL-ESD	22 1/4" x 37"	3775-AL-ESD**	37" x 75"	4630-AL-ESD	46 1/4" x 30 1/4"
3030-AL-ESD	30 1/4" x 30 1/4"	2246-AL-ESD	22 1/4" x 46 1/4"	3859-AL-ESD	38" x 59"	4637-AL-ESD	46 1/4" x 37"
3737-AL-ESD	37" x 37"	2272-AL-ESD	22 1/4" x 72"	4669-AL-ESD**	46 1/4" x 69 1/2"		
4242-AL-ESD	42" x 42"	2296-AL-ESD**	22 1/4" x 96"	4689-AL-ESD*	46 1/4" x 89 1/2"		
4646-AL-ESD	46 1/4" x 46 1/4"	3037-AL-ESD	30 1/4" x 37"				
4848-AL-ESD	48" x 48"	3046-AL-ESD	30 1/4" x 46 1/4"	3022-AL-ESD	30 1/4" x 22 1/4"		
5555-AL-ESD**	55" x 55"	3069-AL-ESD**	30 1/4" x 69 1/2"	3722-AL-ESD	37" x 22 1/4"		
Call for additional sizes		3096-AL-ESD**	30 1/4" x 96"	3730-AL-ESD	37" x 30 1/4"	Call for additional sizes	

*Dual lifting mechanisms are required. **Larger rectangles when hinged on the long side (ex. 4669*=6946) will also require dual lifting mechanisms.

*Sizes are *only* available in the following acrylic colors: WTM, CC, BT or GT.

Solar Heat Gain Coefficient = .50, U Factor = .56, Visible Light Transmission = 53% (Typical for WTM double glazed units)

Features:

1. Curb Mounted (**CM**) or Self Flashing (**SF**)
2. Five Acrylic Color Choices: High White (**WTH**), Medium White (**WTM**), Bronze (**BT**), Grey (**GT**) or Clear (**CC**)
3. Wall Mounted Power Switch
Add highlighted suffixes to model number where applicable:
i.e. **4242-AL-ESD-CM-2-CC-WTM-WP**

Options:

1. Insulating Double Domes (**2**) or Single Dome (**1**)
2. Pyramid (**P**) or Double Hip (**DH**) Shaped Dome (selected sizes)
3. Polycarbonate Dome (**PC**) (inner dome only)
4. Low Profile Dome (**LP**) (selected sizes)
5. Impact Modified Prismatic Acrylic Glazing (**WPM/CPM**)

Options: (cont.)

6. Frame Finish - Bronze Anodize (**BA**), Clear Anodize (**CA**), White Painted (**WP**) or Mill Finish (**MF**)
7. Self Flashing Bases of 9" or 12" (**9** or **12**)
8. Insulated Frame (**INS**)
9. Units Hinged on Short Side as Standard. Long Side By Request

Accessories: See PDS (Product Data Sheets) for these Items

1. Quickkit (Installation Kits)
 - a. Stainless Steel (**QKSS**)
 - b. Zinc Plated (**QKZP**)