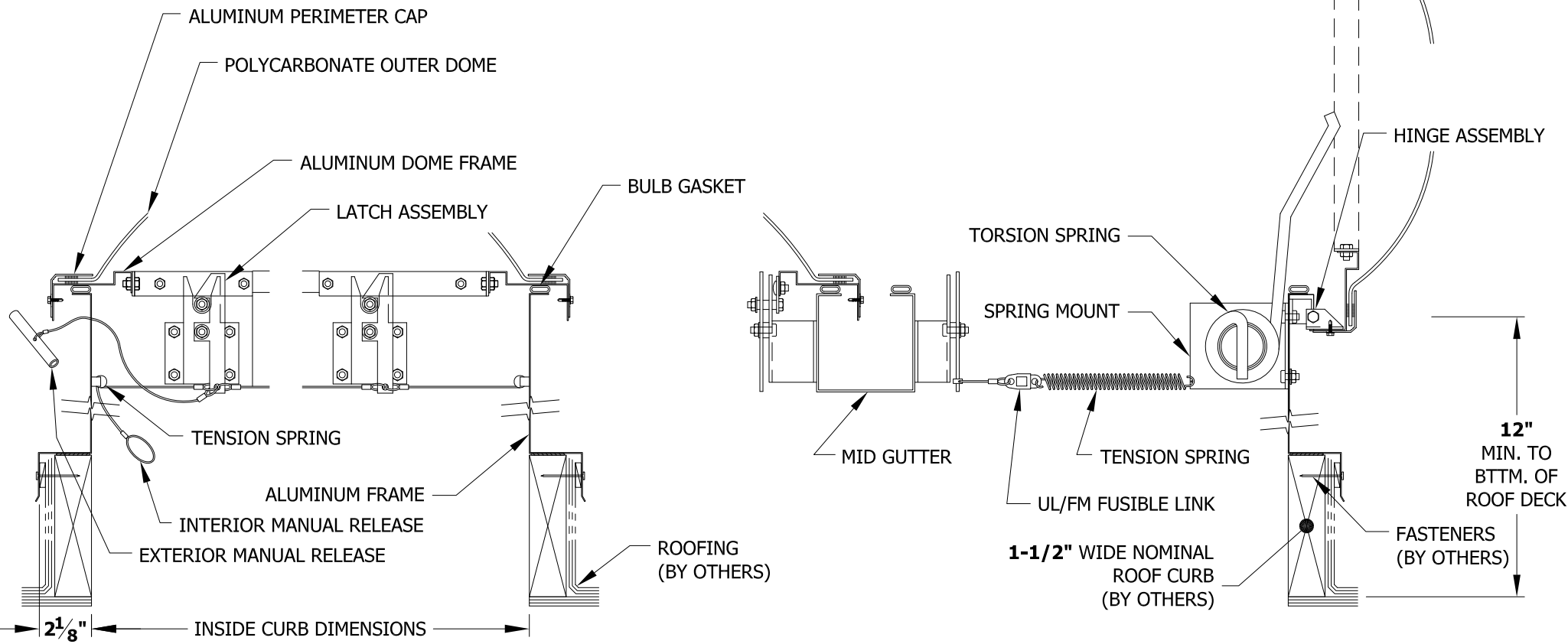
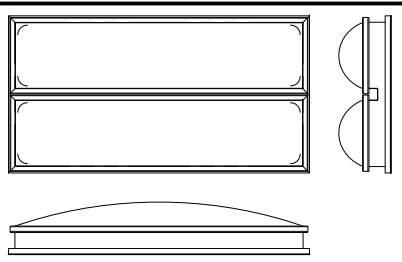


BRISTOLITE POLYCARBONATE GLAZING HAS BEEN LOAD TESTED AND COMPLIES WITH OSHA - CFRS FOR FALL PROTECTION.

# TUFFLITE POLYCARBONATE ALUMINUM "ECO" DOUBLE LID CURB MOUNTED SMOKE VENT



**MODEL: ECO-SVAPC-CM-1-PC-M3-MF**  
(NOT TO SCALE)

**\*MANUFACTURED & TESTED TO 'UL 793' STANDARD\***

**OUTER POLYCARBONATE COLOR**  
 BRONZE (BPC)    CLEAR (CPC)  
 WHITE (WPC)  
 OTHER:

MODEL NUMBER	INSIDE CURB DIMENSIONS	QTY
RECTANGLE		
4896-ECO-SVAPC	48" x 96"	
6072-ECO-SVAPC	60" x 72"	

**NOTE:**

- CORROSION RESISTANT CONSTRUCTION IS USED THROUGHOUT THE UNIT.
- FRAME MATERIAL IS .090" THICK ALUMINUM.
- GASKETED DOORS ARE FORMED POLYCARBONATE DOMES.
- DOORS WILL OPEN AGAINST 10 LB. PER SQ.FT. SNOW OR WIND LOAD.
- FUSIBLE LINK AVAILABLE IN FOLLOWING: 165°, 212°, 286°, 360°, 520° (U.N.O. 165° WILL BE SUPPLIED).
- UNITS EQUIPPED w/BOTH OUTSIDE & INSIDE MANUAL RELEASES.

**UL LISTED**

**FUSIBLE LINK TEMPERATURES:**  
 165°    212°  
 286°    360°  
 520°

**Bristolite® Daylighting Systems**  
 401 East Goetz Avenue, Santa Ana, CA. 92707  
 TEL 714.540.8950 / FAX 714.540.5415

CUSTOMER: \_\_\_\_\_  
 PROJECT: \_\_\_\_\_

PREPARED BY: \_\_\_\_\_  
 SUBMITTAL DATE: \_\_\_\_\_

JOB No.: \_\_\_\_\_  
 SHEET NO.: \_\_\_\_\_