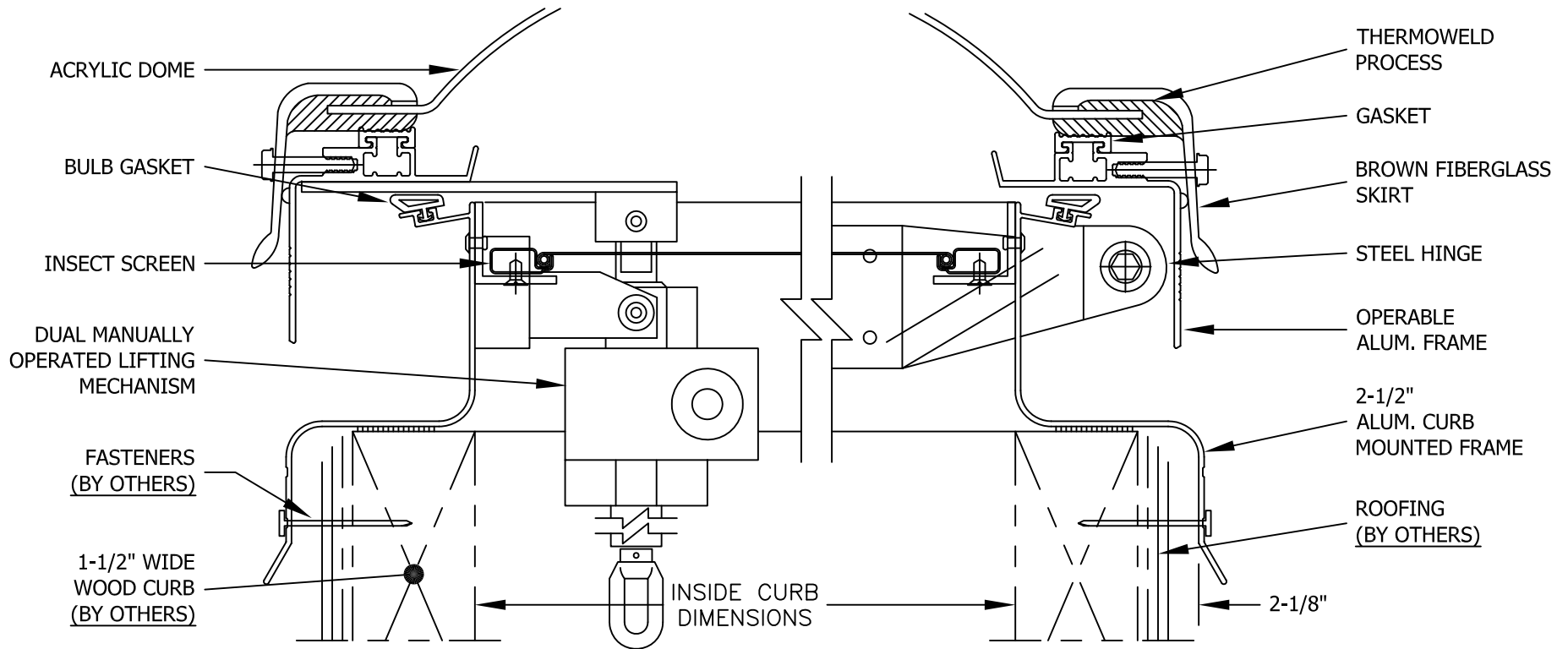


THERMOWELD ACRYLIC CURB MOUNTED SKYVENT



MODEL: AS-SD-CM-1

NOT TO SCALE

	MODEL NUMBER	INSIDE CURB DIMENSIONS	QTY	MODEL NUMBER	INSIDE CURB DIMENSIONS	QTY	MODEL NUMBER	INSIDE CURB DIMENSIONS	QTY
	SQUARE			RECTANGULAR			REVERSE HINGED		
ACRYLIC GLAZING	5555 AS-SD	55" x 55"		4689 AS-SD	46 1/4" x 89 1/2"		5938 AS-SD	59" x 38"	
	7070 AS-SD	70 1/4" x 70 1/4"		4896 AS-SD	48" x 96"		6054 AS-SD	60" x 54"	
TRANSLUCENT WHITE:	7575 AS-SD	75" x 75"		5460 AS-SD	54" x 60"		6930 AS-SD	69 1/2" x 30 1/4"	
CLEAR (CC) ○	8484 AS-SD	84" x 84"					6946 AS-SD	69 1/2" x 46 1/4"	
BRONZE (BT) ○	9292 AS-SD	92 1/2" x 92 1/2"					7222 AS-SD	72" x 22 1/4"	
MEDIUM (WTM) ○							7537 AS-SD	75" x 37"	
GREY (GT) ○							8946 AS-SD	89 1/2" x 46 1/4"	
OTHER: _____ ○							9622 AS-SD	96" x 22 1/4"	
FRAME FINISH							9630 AS-SD	96" x 30 1/4"	
MILL FINISH (MF) ○							9634 AS-SD	96" x 34"	
WHITE PAINT (WP) ○							9648 AS-SD	96" x 48"	
BRONZE ANODIZED (BA) ○									
OTHER: _____ ○									

Bristolite Daylighting Systems

401 East Goetz Avenue, Santa Ana, CA. 92707
 TEL 714.540.8950 / FAX 714.540.5415

CUSTOMER :

PROJECT :

PREPARED BY :

SUBMITTAL DATE :

JOB NO :

SHEET NO.: