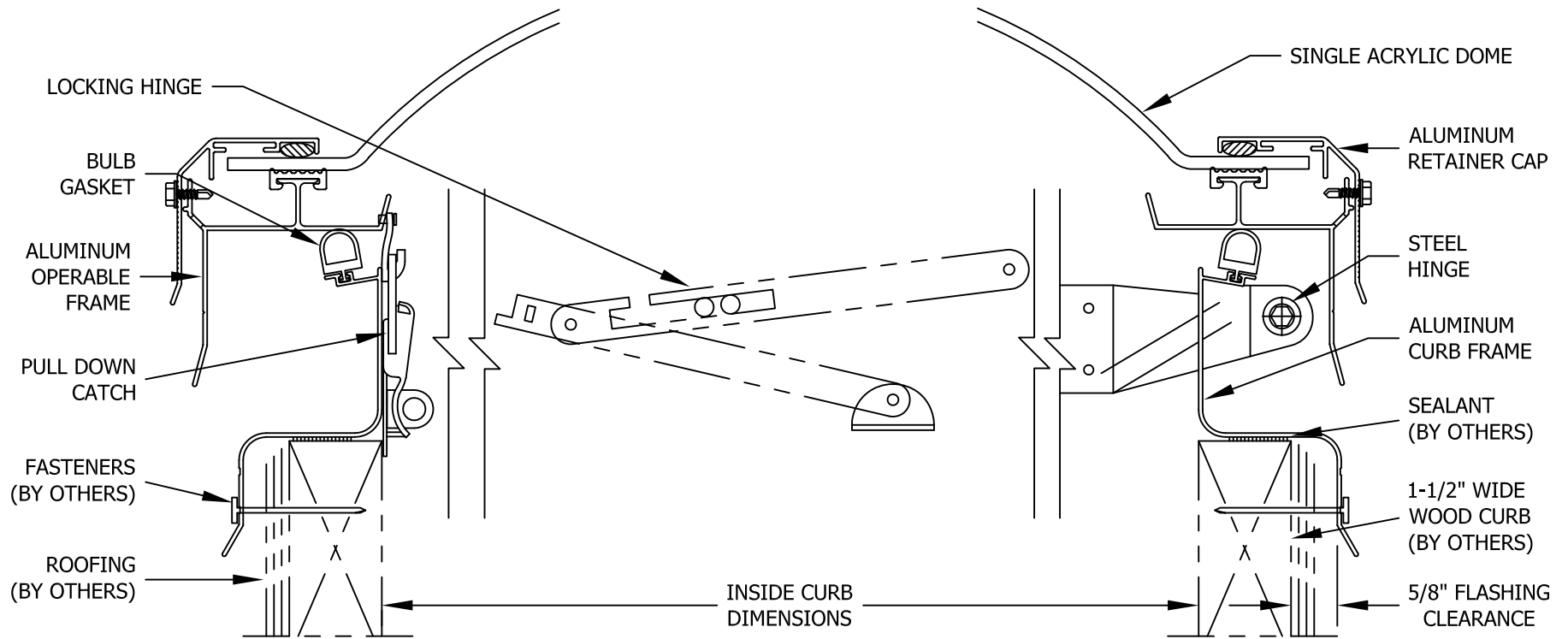


ALUMILITE ACRYLIC CURB MOUNTED SKY HATCH



MODEL: AL-SKH-CM-1

(NOT TO SCALE)

	MODEL NUMBER	INSIDE CURB DIMENSIONS	QTY		MODEL NUMBER	INSIDE CURB DIMENSIONS	QTY		MODEL NUMBER	INSIDE CURB DIMENSIONS	QTY
	SQUARE				RECTANGULAR						
ACRYLIC GLAZING	1414 AL-SKH	14 1/4" x 14 1/4"			2214 AL-SKH	22 1/4" x 14 1/4"					
	1919 AL-SKH	19" x 19"			3022 AL-SKH	30 1/4" x 22 1/4"					
TRANSLUCENT WHITE:	2222 AL-SKH	22 1/4" x 22 1/4"			3722 AL-SKH	37" x 22 1/4"					
CLEAR (CC) <input type="radio"/>	3030 AL-SKH	30 1/4" x 30 1/4"			3730 AL-SKH	37" x 30 1/4"					
HIGH (WTH) <input type="radio"/>	3737 AL-SKH	37" x 37"			4614 AL-SKH	46 1/4" x 14 1/4"					
MEDIUM (WTM) <input type="radio"/>	4242 AL-SKH	42" x 42"			4622 AL-SKH	46 1/4" x 22 1/4"					
OTHER: _____ <input type="radio"/>					4630 AL-SKH	46 1/4" x 30 1/4"					
					4637 AL-SKH	46 1/4" x 37"					
FRAME FINISH											
MILL FINISH (MF) <input type="radio"/>	WHITE PAINT (WP) <input type="radio"/>										
BRONZE ANODIZED (BA) <input type="radio"/>	OTHER: _____ <input type="radio"/>										

Bristolite® Daylighting Systems

401 East Goetz Avenue, Santa Ana, CA. 92707
TEL 714.540.8950 / FAX 714.540.5415

CUSTOMER :

PROJECT :

PREPARED BY :

SUBMITTAL DATE :

JOB NO.:

SHEET NO.: