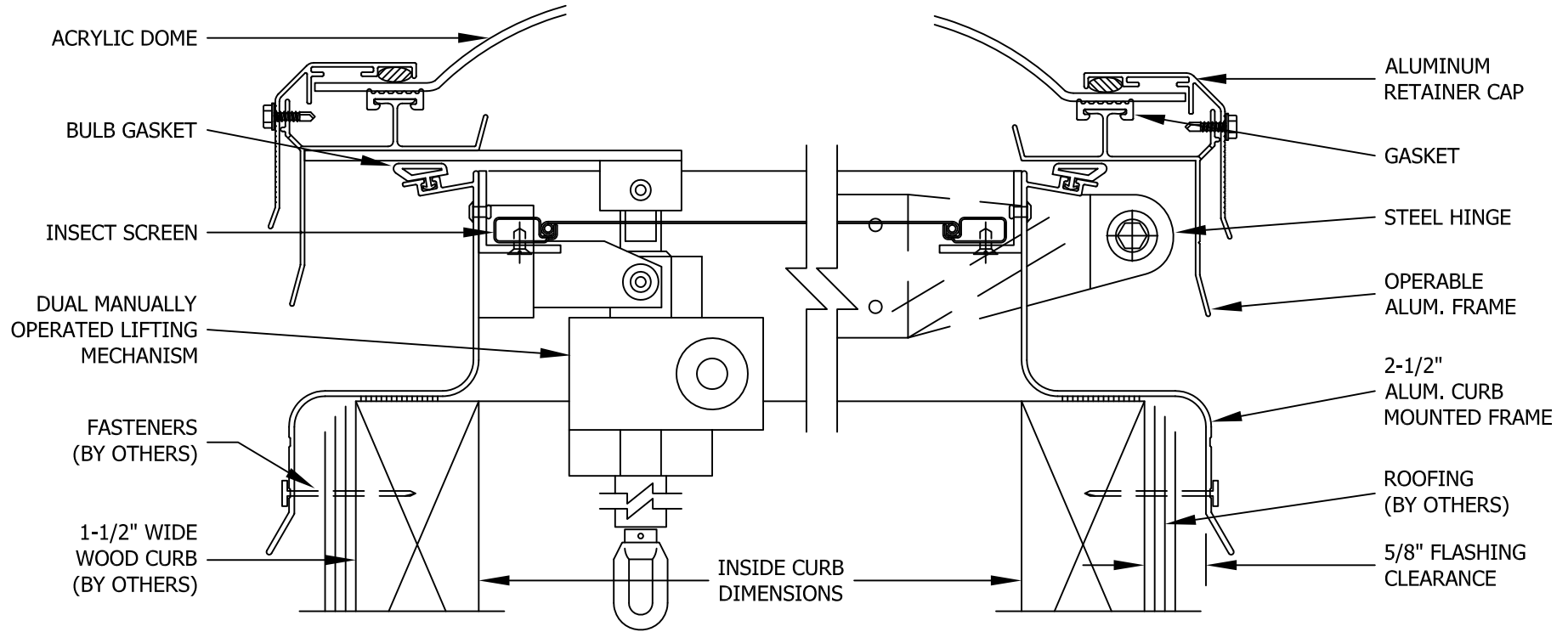


ALUMILITE ACRYLIC ALUMINUM CURB MOUNTED SKYVENT



MODEL : AL-SD-CM-1

(NOT TO SCALE)

	MODEL NUMBER	INSIDE CURB DIMENSIONS	QTY	MODEL NUMBER	INSIDE CURB DIMENSIONS	QTY	MODEL NUMBER	INSIDE CURB DIMENSIONS	QTY
	SQUARE			RECTANGULAR			REVERSE HINGED		
	5555 AL-SD	55" x 55"		36120 AL-SD	36" x 120"		5938 AL-SD	59" x 38"	
	7070 AL-SD	70 1/4" x 70 1/4"		4689 AL-SD	46 1/4" x 89 1/2"		6054 AL-SD	60" x 54"	
	7575 AL-SD	75" x 75"		4896 AL-SD	48" x 96"		6930 AL-SD	69 1/2" x 30 1/4"	
	8484 AL-SD	84" x 84"		48120 AL-SD	48" x 120"		6946 AL-SD	69 1/2" x 46 1/4"	
	9292 AL-SD	92 1/2" x 92 1/2"		5460 AL-SD	54" x 60"		7222 AL-SD	72" x 22 1/4"	
							7537 AL-SD	75" x 37"	
							8946 AL-SD	89 1/2" x 46 1/4"	
							9622 AL-SD	96" x 22 1/4"	
							9630 AL-SD	96" x 30 1/4"	
							9634 AL-SD	96" x 34"	
							9648 AL-SD	96" x 48"	
							12036 AL-SD	120" x 36"	
							12048 AL-SD	120" x 48"	

ACRYLIC GLAZING

TRANSLUCENT WHITE: CLEAR (CC)

HIGH (WTH) BRONZE (BT)

MEDIUM (WTM) GREY (GT)

OTHER: _____

FRAME FINISH

MILL FINISH (MF) WHITE PAINT (WP)

BRONZE ANODIZED (BA) OTHER: _____

Bristolite® Daylighting Systems

401 East Goetz Avenue, Santa Ana, CA. 92707
TEL 714.540.8950 / FAX 714.540.5415

CUSTOMER :

PROJECT :

PREPARED BY :

SUBMITTAL DATE :

JOB NO :

SHEET NO.: